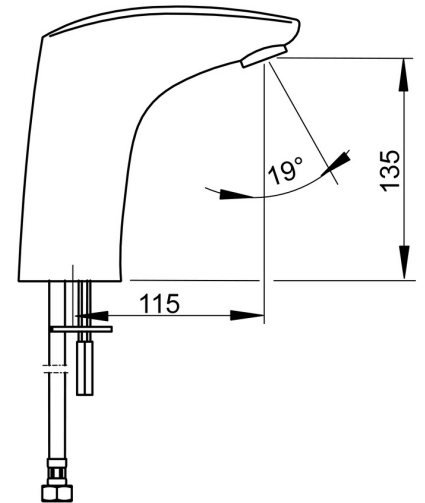
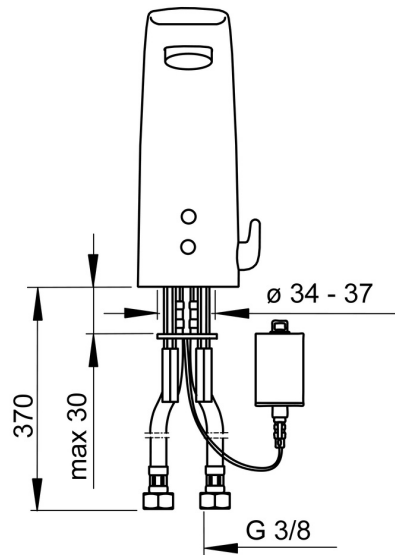
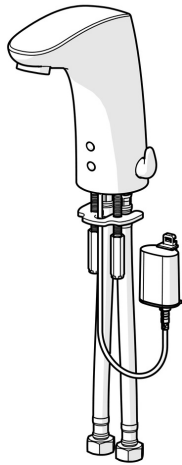


EAN: 4057304008610
static.hansa.com/64432219



- Public & Semi-public
- Touchless, Bluetooth®, Battery-operated
- Deck mounted
- Chrome
- Fixed spout, Casted construction
- Protection against burglary, Standard aerator
- Temperature control handle
- Adjustable hot water stop (included, retrofittable), Temperature preset fixable
- Mixing valve for manual temperature control, Non-return valve(s), Litter filter(s)
- Autofocus infrared sensor, Solenoid valve, Low battery indicator
- Flexible inlet pipes
- Software settings adjustable via App
- Without pop-up waste, Without draw-rod opening



Technical data

Flow properties

Flow-rate at 3 bar (with flow controller)	6.0 l/min
Pressure loss with flow (0.1 l/s)	2 bar

Technical properties

DN-size (nominal dimension)	DN15
Hot water supply	max. +70°C
Working pressure	1-10 bar
Connection size	G3/8
Projection	112 mm
Backflow prevention (EN1717)	AA
Material	Brass

Software settings

Afterflow period	3 s (1-20 s)
Automatic flush	off (off/1-120 h)
Automatic flush period	30 s (1-1800 s)
Max. flow period	2 min (1 - 1800 s)

Electronic properties

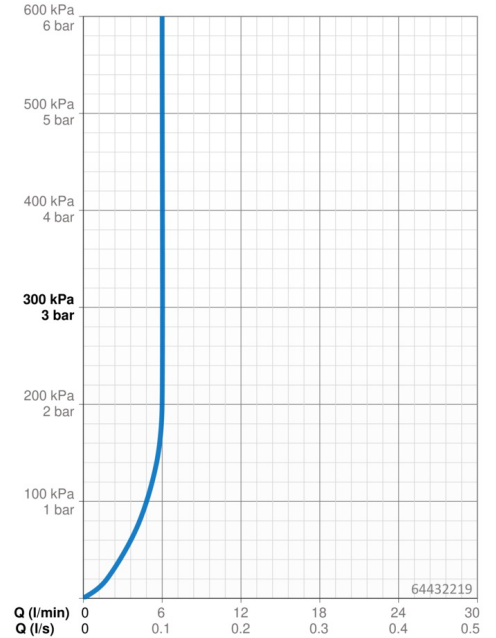
Battery	Lithium 2CR5 6 V
Bluetooth version	4.x (D034445)

Regulations

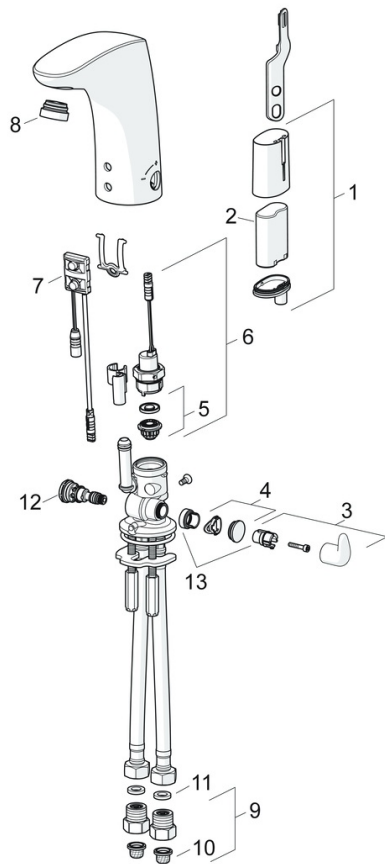
EU Directives	C € Radio Equipment Directive 2014/53/EU , Low Voltage Directive 2014/35/EU , EMC Directive 2014/30/EU , RoHS Directive 2011/65/EU
EN standard	EN 15091, ETSI EN 301 489-1 V1.9.2 , ETSI EN 300 328 v2.2.2 , EN 61000-6-1:2007 , EN 61000-6-3:2007+A1:2011+AC:2012 , EN 60335-1:2012+A11+A13+A14+A15:2021, Part 19.11.4
Protection class	IP 55

Approvals and Declarations

UN38.3	UN38-3 Maxell 2CR5
Declaration of conformity	RED



Spare parts



SP64432219

	Name	Code
01	Battery casing	59914154
02	Battery, 2CR5 6 V	59911670
03	Temperature control handle	59914100
04	Cover plug	59914104
05	Membrane for solenoid valve	1006500V
05	Membrane support ring Discontinued	59914090
06	Solenoid valve, 6 V	59914091
07	Sensor, 6/9/12 V, Bluetooth	59914567
08	Aerator and key, M24x1, 6 l/min	59914105
09	One-way valve with litter screen	59914086
10	Litter filters	59914085
11	Gasket, 8x14,3x2	59914087
12	Temperature regulator	59914089
13	Limiter	59914106