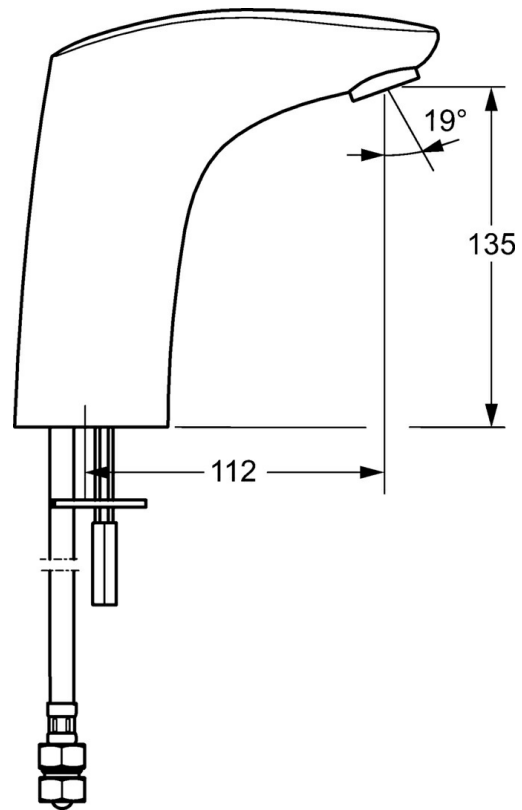
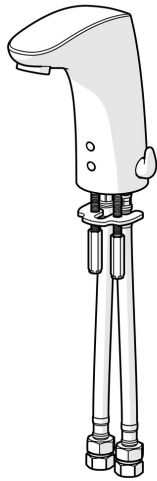


EAN: 4015474277106  
[static.hansa.com/64432211](https://static.hansa.com/64432211)



- Public & Semi-public
- Battery-operated, Touchless
- Deck mounted
- Chrome
- Fixed spout, Casted construction
- Protection against burglary, Standard aerator
- Temperature control handle
- Temperature preset fixable
- Litter filter(s), Mixing valve for manual temperature control
- Autofocus infrared sensor, Solenoid valve, Low battery indicator
- Flexible inlet pipes
- Convertible for cold or premixed-water supply
- Without pop-up waste, Without draw-rod opening



## Technical data

### Flow properties

Flow-rate at 3 bar (with flow controller) **6.0 l/min**

### Technical properties

DN-size (nominal dimension) **DN15**  
 Hot water supply **max. +70°C**  
 Working pressure **1-10 bar**  
 Connection size **G3/8**  
 Projection **112 mm**  
 Backflow prevention (EN1717) **AA**  
 Material **Brass**

### Software settings

Afterflow period **2 s ± 1 s**  
 Automatic flush **72 h**  
 Automatic flush period **30 s**  
 Max. flow period **2 min**

### Electronic properties

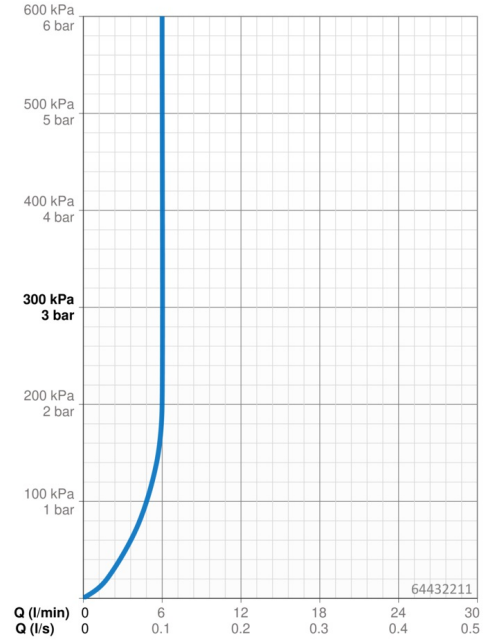
Battery **Lithium 2CR5 6 V**

### Regulations

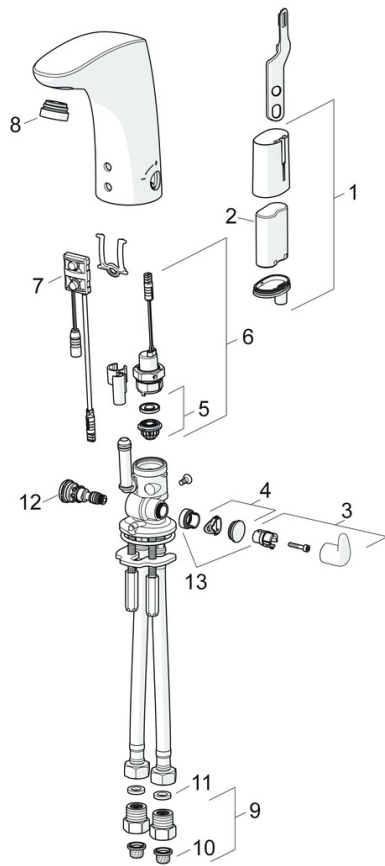
EU Directives **C € EMC Directive 2014/30/EU , RoHS Directive 2011/65/EU**  
 EN standard **EN 15091, ETSI EN 301 489-1 V1.9.2, ETSI EN 300 328 v2.2.2, EN 61000-6-1:2007, EN 61000-6-3:2007+A1:2011+AC:2012, EN 60335-1:2012+A11+A13+A14+A15:2021, Part 19.11.4**  
 Protection class **IP 55**

### Approvals and Declarations

UN38.3 **UN38-3 Maxell 2CR5**  
 Declaration of conformity **EMC**



## Spare parts



### SP64432210

	Name	Code
01	Battery casing, 2CR5 6 V	59914088
02	Battery, 2CR5 6 V	59911670
03	Temperature control handle	59914100
04	Cover plug	59914104
05	Membrane for solenoid valve	1006500V
05	Membrane support ring Discontinued	59914090
06	Solenoid valve, 6 V	59914091
07	Sensor, 6 V Discontinued	59914107
07	Sensor, 6 V /72h Discontinued	59914580
08	Aerator and key, M24x1, 6 l/min	59914105
09	One-way valve with litter screen	59914086
10	Litter filters	59914085
11	Gasket, 8x14.3x2	59914087
12	Temperature regulator	59914089
13	Limiter	59914106