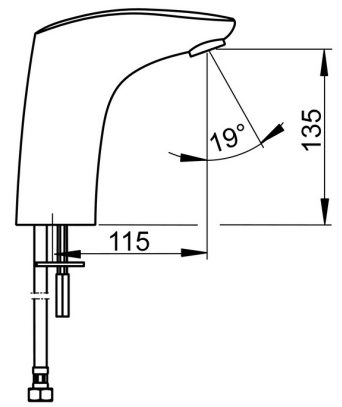
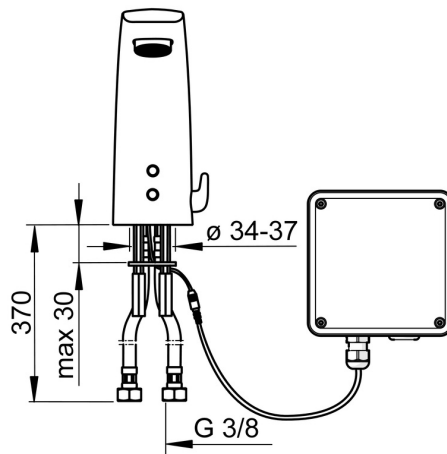
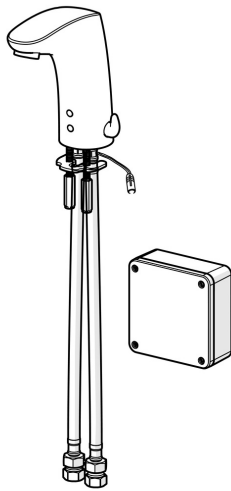


EAN: 4057304014970
static.hansa.com/64432019

- Washbasin
- Touchless, Bluetooth®, External transformer
- Deck mounted
- Chrome
- Fixed spout, Casted construction
- Standard aerator, Protection against burglary
- Temperature control handle
- Adjustable hot water stop (included, retrofittable)
- Mixing valve for manual temperature control, Non-return valve(s), Litter filter(s)
- Autofocus infrared sensor, Solenoid valve, Power supply
- Flexible inlet pipes
- Software settings adjustable via App, Convertible for cold or premixed-water supply
- Without pop-up waste, Without draw-rod opening
- grease without Silicon



Technical data

Flow properties

Flow-rate at 3 bar (with flow controller)	6.0 l/min
Pressure loss with flow (0.1 l/s)	2 bar

Technical properties

DN-size (nominal dimension)	DN15
Hot water supply	max. +70°C
Working pressure	1-10 bar
Connection size	G3/8
Projection	112 mm
Backflow prevention (EN1717)	AA
Material	Brass

Software settings

Afterflow period	3 s (1-20 s)
Automatic flush	24 h (off/1-120 h)
Automatic flush period	30 s (1-1800 s)
Max. flow period	2 min (1 - 1800 s)

Electronic properties

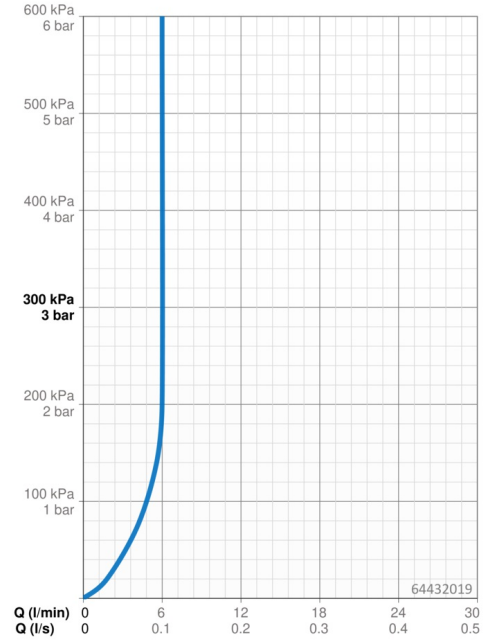
Electrical Connection	230 / 12 V
Bluetooth version	4.x (D034445)

Regulations

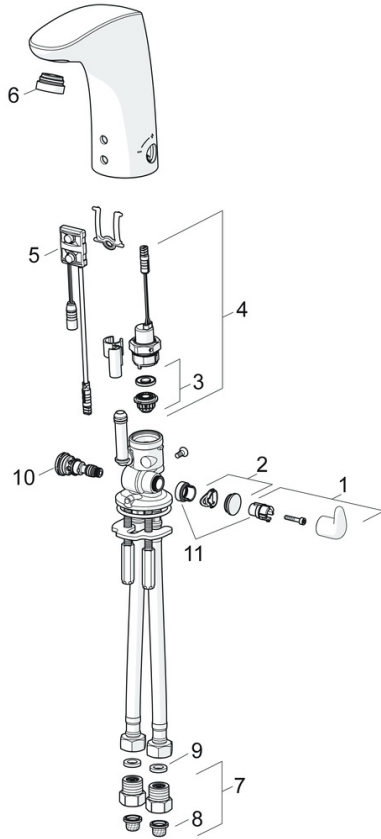
EU Directives	C € Radio Equipment Directive 2014/53/EU , Low Voltage Directive 2014/35/EU , EMC Directive 2014/30/EU , RoHS Directive 2011/65/EU
EN standard	EN 15091, ETSI EN 301 489-1 V1.9.2 , ETSI EN 300 328 v2.2.2 , EN 61000-6-1:2007 , EN 61000-6-3:2007+A1:2011+AC:2012 , EN 60335-1:2012+A11+A13+A14+A15:2021, Part 19.11.4
Protection class	IP 55

Approvals and Declarations

Declaration of conformity	RED
---------------------------	------------



Spare parts



SP64432009

	Name	Code
01	Temperature control handle	59914100
02	Cover plug	59914104
03	Membrane for solenoid valve	1006500V
03	Membrane support ring Discontinued	59914090
04	Solenoid valve, 6 V	59914091
05	Sensor, 6/9/12 V, Bluetooth	59914567
06	Aerator and key, M24x1, 6 l/min	59914105
07	One-way valve with litter screen	59914086
08	Litter filters	59914085
09	Gasket, 8x14.3x2	59914087
10	Temperature regulator	59914089
11	Limiter	59914106
N.I.	Filter sealing	1007900V