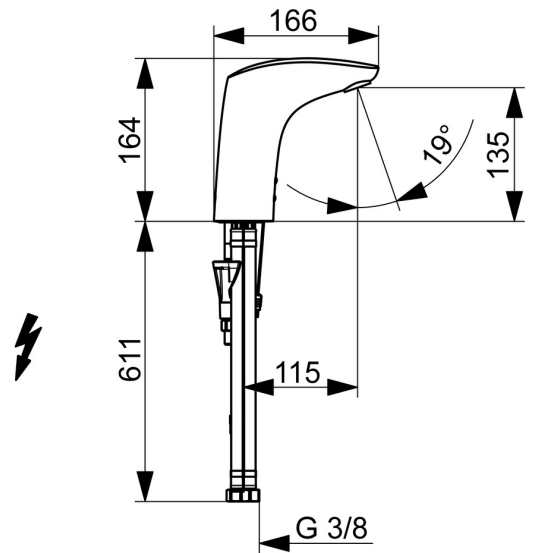
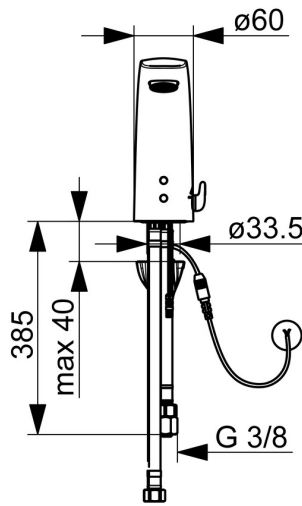
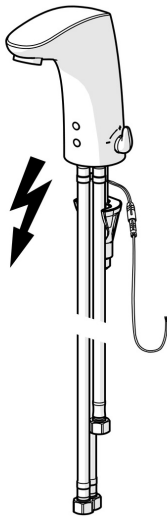


EAN: 4057304008634
static.hansa.com/64421109



- Public & Semi-public, Industry
- Touchless, Low pressure, Bluetooth®
- Deck mounted
- Chrome
- Fixed spout
- Protection against burglary, Standard aerator
- Temperature control handle
- Litter filter(s)
- Autofocus infrared sensor, Solenoid valve
- Flexible inlet pipes
- 3S-installation system for safe and simple mounting, Software settings adjustable via App
- Without transformer, Without pop-up waste, Without draw-rod opening



Technical data

Flow properties

Flow-rate at 3 bar	6.0 l/min
Pressure loss with flow (0.1 l/s)	3 bar

Technical properties

DN-size (nominal dimension)	DN15
Hot water supply	max. +70°C
Working pressure	0.5-5 bar
Connection size	G3/8
Projection	112 mm
Backflow prevention (EN1717)	AA
Material	Brass

Software settings

Afterflow period	3 s (1-20 s)
Automatic flush	off (off/1-120 h)
Automatic flush period	30 s (1-1800 s)
Max. flow period	2 min (1 - 1800 s)

Electronic properties

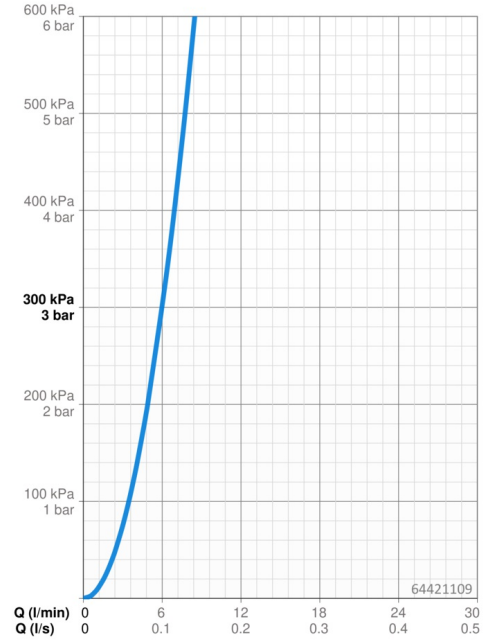
Electrical Connection	9 / 12 V
Bluetooth version	4.x (D034445)

Regulations

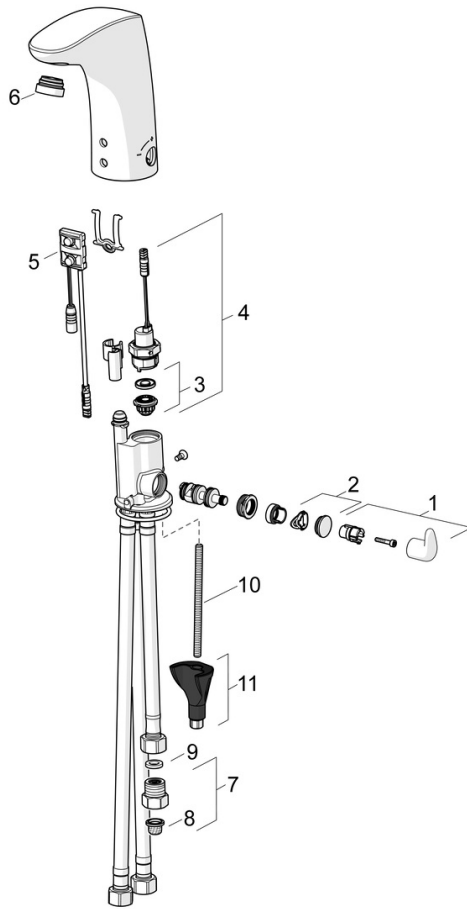
EU Directives	C € Radio Equipment Directive 2014/53/EU , Low Voltage Directive 2014/35/EU , EMC Directive 2014/30/EU , RoHS Directive 2011/65/EU
EN standard	EN 15091, ETSI EN 301 489-1 V1.9.2 , ETSI EN 300 328 v2.2.2 , EN 61000-6-1:2007 , EN 61000-6-3:2007+A1:2011+AC:2012 , EN 60335-1:2012+A11+A13+A14+A15:2021, Part 19.11.4
Protection class	IP 55

Approvals and Declarations

Declaration of conformity	RED
---------------------------	------------



Spare parts



SP64421109

	Name	Code
01	Temperature control handle	59914100
02	Cover plug	59914104
03	Membrane for solenoid valve	1006500V
03	Membrane support ring Discontinued	59914090
04	Solenoid valve, 6 V	59914091
05	Sensor, 6/9/12 V, Bluetooth	59914567
06	Aerator, M24x1	59914607
07	Flow limiter, 5 L/min	59914522
08	Litter filters	59914085
09	Gasket, 8x14.3x2	59914087
10	Fixing screw, M8x1, L=130	59914474
11	Fixing set	59914475