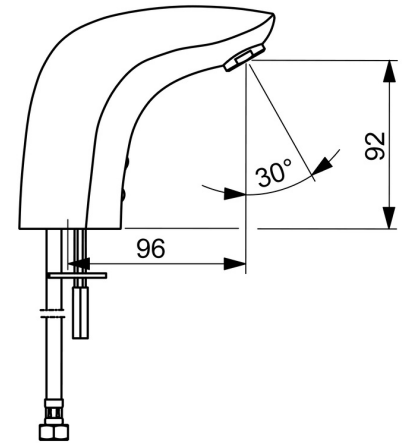
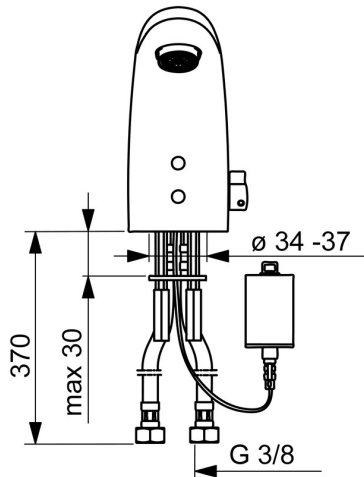
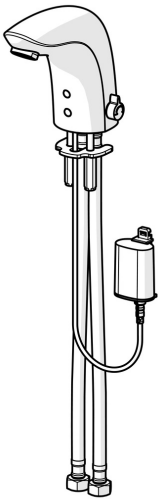


EAN: 4057304014079  
[static.hansa.com/64412219](http://static.hansa.com/64412219)



- Washbasin
- Public & Semi-public, Housing
- Touchless, Bluetooth®, Battery-operated
- Deck mounted
- Chrome
- Fixed spout, Casted construction
- PCA® - constant flow rate regardless of pressure variations, Standard aerator
- Temperature control handle
- Temperature preset fixable
- Non-return valve(s), Litter filter(s), Mixing valve for manual temperature control
- Autofocus infrared sensor, Solenoid valve, Low battery indicator
- Flexible inlet pipes
- Software settings adjustable via App, Convertible for cold or premixed-water supply
- Without pop-up waste, Without draw-rod opening



## Technical data

### Flow properties

|   |                  |
|---|------------------|
| Flow-rate at 3 bar (with flow controller) | <b>6.0 l/min</b> |
| Pressure loss with flow (0.1 l/s)         | <b>2 bar</b>     |

### Technical properties

|                              |                   |
|------------------------------|-------------------|
| DN-size (nominal dimension)  | <b>DN15</b>       |
| Hot water supply             | <b>max. +70°C</b> |
| Working pressure             | <b>0.5-10 bar</b> |
| Connection size              | <b>G3/8</b>       |
| Projection                   | <b>96 mm</b>      |
| Backflow prevention (EN1717) | <b>AA</b>         |
| Material                     | <b>Brass</b>      |

### Software settings

|                        |                           |
|------------------------|---------------------------|
| Afterflow period       | <b>3 s (1-20 s)</b>       |
| Automatic flush        | <b>off (off/1-120 h)</b>  |
| Automatic flush period | <b>30 s (1-1800 s)</b>    |
| Max. flow period       | <b>2 min (1 - 1800 s)</b> |

### Electronic properties

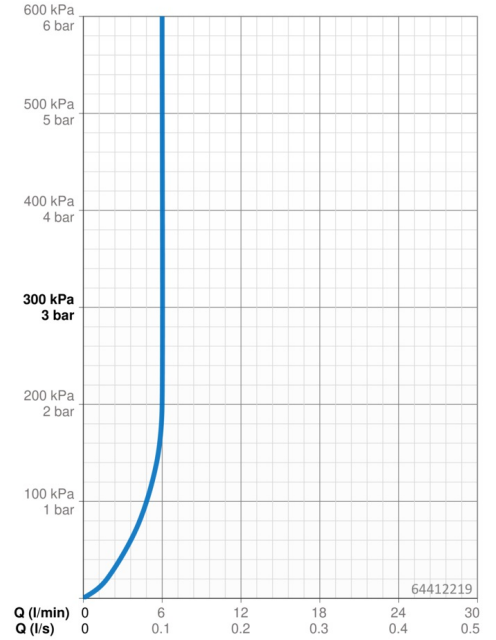
|                   |                         |
|-------------------|-------------------------|
| Battery           | <b>Lithium 2CR5 6 V</b> |
| Bluetooth version | <b>4.x (D034445)</b>    |

### Regulations

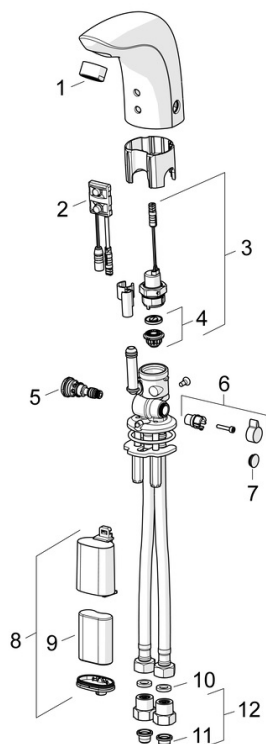
|                  |  |
|------------------|--|
| EU Directives    | <b>C € Radio Equipment Directive 2014/53/EU , Low Voltage Directive 2014/35/EU , EMC Directive 2014/30/EU , RoHS Directive 2011/65/EU</b>  |
| EN standard      | <b>EN 15091, ETSI EN 301 489-1 V1.9.2 , ETSI EN 300 328 v2.2.2 , EN 61000-6-1:2007 , EN 61000-6-3:2007+A1:2011+AC:2012 , EN 60335-1:2012+A11+A13+A14+A14+A2+A15:2021, Part 19.11.4</b> |
| Noise class      | <b>I (ISO 3822)</b>  |
| Protection class | <b>IP 55</b>   |

### Approvals and Declarations

|                           |                           |
|---------------------------|---------------------------|
| UN38.3                    | <b>UN38-3 Maxell 2CR5</b> |
| Declaration of conformity | <b>RED</b>                |



## Spare parts



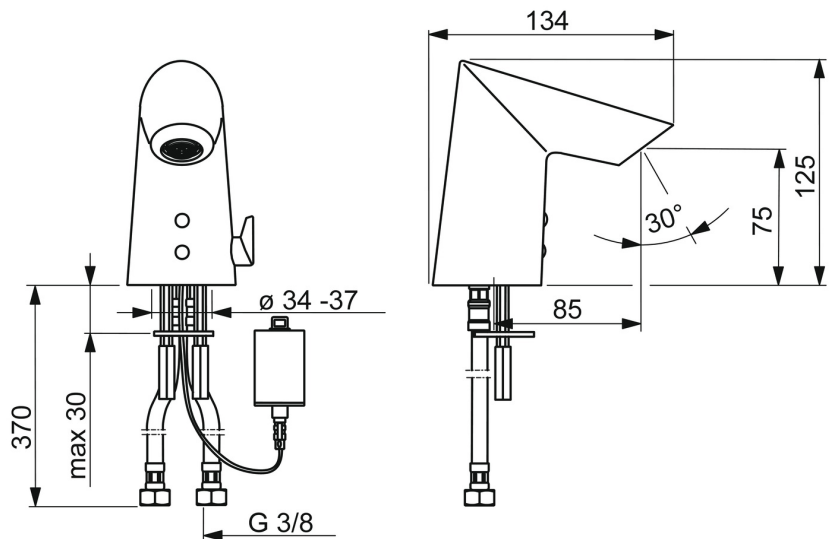
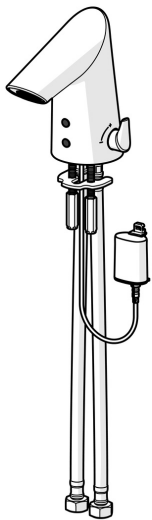
### SP64412210

|    | Name                               | Code     |
|----|------------------------------------|----------|
| 01 | Aerator, M24x1, 6 l/min            | 59913727 |
| 02 | Sensor, 6 V Discontinued           | 59914093 |
| 02 | Sensor, 6 V /72h/2min Discontinued | 59914286 |
| 02 | Sensor, 6/9/12 V, Bluetooth        | 59914567 |
| 03 | Solenoid valve, 6 V                | 59914091 |
| 04 | Membrane for solenoid valve        | 1006500V |
| 04 | Membrane support ring Discontinued | 59914090 |
| 05 | Temperature regulator              | 59914089 |
| 06 | Temperature control handle, L=15   | 59914096 |
| 07 | Cover plug                         | 59914097 |
| 08 | Battery casing, 2CR5 6 V           | 59914088 |
| 09 | Battery, 2CR5 6 V                  | 59911670 |
| 10 | Gasket, 8x14.3x2                   | 59914087 |
| 11 | Litter filters                     | 59914085 |
| 12 | One-way valve with litter screen   | 59914086 |

EAN: 4057304014147  
[static.hansa.com/65412219](https://static.hansa.com/65412219)



- Washbasin
- Public & Semi-public
- Touchless, Bluetooth®, Battery-operated
- Deck mounted
- Chrome
- Fixed spout
- Hidden aerator
- Temperature control handle
- Adjustable hot water stop (included, retrofittable)
- Mixing valve for manual temperature control, Non-return valve(s), Litter filter(s)
- Autofocus infrared sensor, Solenoid valve, Low battery indicator
- Flexible inlet pipes
- Software settings adjustable via App
- Without pop-up waste, Without draw-rod opening
- Faucet is GGT-approved user test GOOD



## Technical data

### Flow properties

Flow-rate at 3 bar (with flow controller) **4.8 l/min**

### Technical properties

DN-size (nominal dimension) **DN15**  
 Hot water supply **max. +70°C**  
 Working pressure **0.5-10 bar**  
 Connection size **G3/8**  
 Projection **85 mm**  
 Backflow prevention (EN1717) **AA**  
 Material **Brass/Plastic**

### Software settings

Afterflow period **3 s (1-20 s)**  
 Automatic flush **off (off/1-120 h)**  
 Automatic flush period **30 s (1-1800 s)**  
 Max. flow period **2 min (1 - 1800 s)**

### Electronic properties

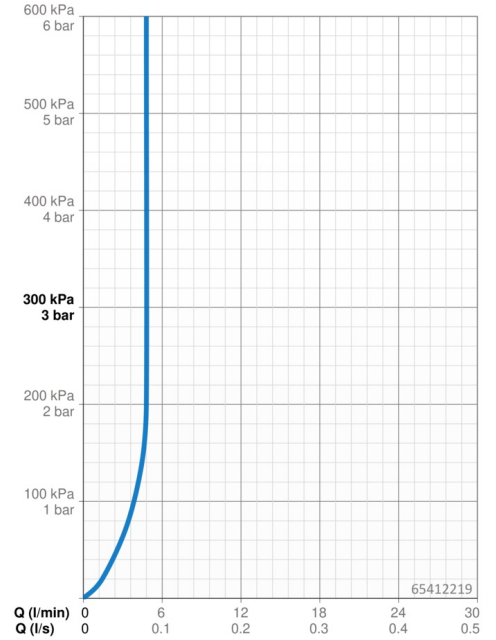
Battery **Lithium 2CR5 6 V**  
 Bluetooth version **4.x (D034445)**

### Regulations

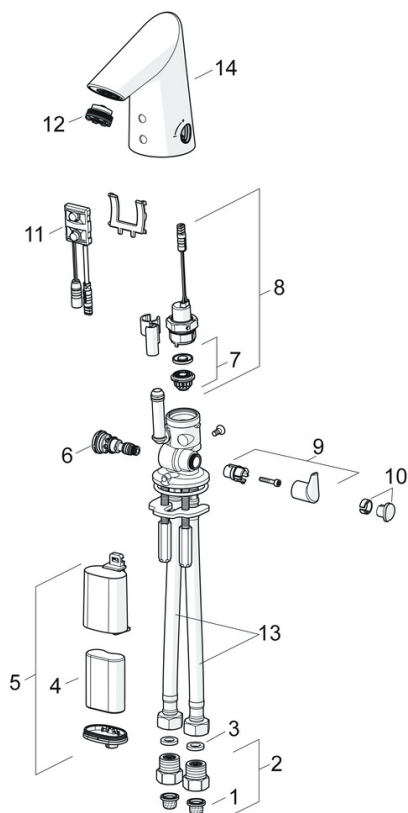
EU Directives **C € Radio Equipment Directive 2014/53/EU , Low Voltage Directive 2014/35/EU , EMC Directive 2014/30/EU , RoHS Directive 2011/65/EU**  
 EN standard **EN 15091, ETSI EN 301 489-1 V1.9.2 , ETSI EN 300 328 v2.2.2 , EN 61000-6-1:2007 , EN 61000-6-3:2007+A1:2011+AC:2012 , EN 60335-1:2012+A11+A13+A1+A14+A2+A15:2021, Part 19.11.4**  
 Noise class **I (ISO 3822)**  
 Protection class **IP 55**

### Approvals and Declarations

UN38.3 **UN38-3 Maxell 2CR5**  
 Declaration of conformity **RED**



## Spare parts



### SP65412210

|      | Name                                    | Code     |
|------|---|----------|
| 01   | Litter filters                          | 59914085 |
| 02   | One-way valve with litter screen        | 59914086 |
| 03   | Gasket, 8x14.3x2                        | 59914087 |
| 04   | Battery, 2CR5 6 V                       | 5991670  |
| 05   | Battery casing, 2CR5 6 V                | 59914088 |
| 06   | Temperature regulator                   | 59914089 |
| 07   | Membrane for solenoid valve             | 1006500V |
| 07   | Membrane support ring Discontinued      | 59914090 |
| 08   | Solenoid valve, 6 V                     | 59914091 |
| 09   | Temperature control handle              | 59914092 |
| 10   | Cover plug                              | 1010087V |
| 11   | Sensor, 6 V Discontinued                | 59914093 |
| 11   | Sensor, 6/9/12 V, Bluetooth             | 59914567 |
| 12   | Aerator, M21.5x1, 5 l/min               | 59914094 |
| 13   | Flexible pipe, L=375, G3/8-M10x1 (2pcs) | 59914095 |
| 14   | Spout                                   | 59914589 |
| N.I. | Limiter                                 | 59914106 |