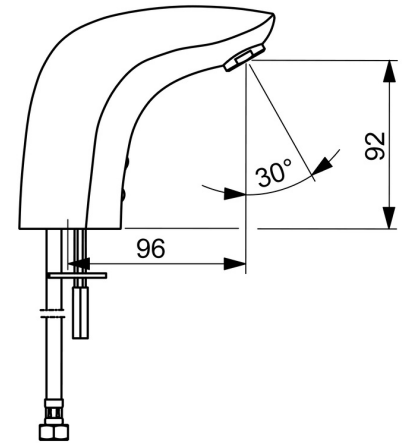
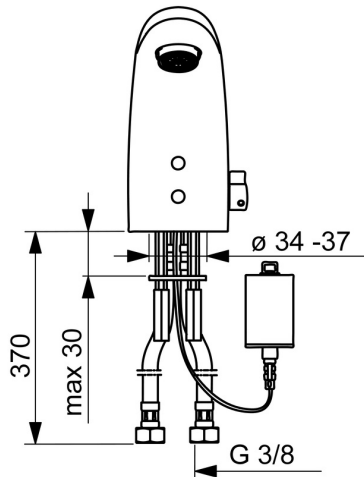
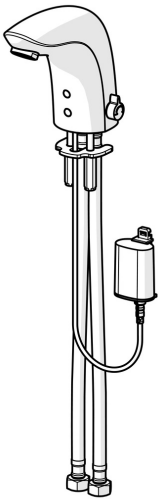


EAN: 4015474273337
static.hansa.com/64412210



- Washbasin
- Public & Semi-public
- Battery-operated, Touchless
- Deck mounted
- Chrome
- Fixed spout, Casted construction
- PCA® - constant flow rate regardless of pressure variations, Standard aerator
- Temperature control handle
- Temperature preset fixable
- Non-return valve(s), Litter filter(s), Mixing valve for manual temperature control
- Autofocus infrared sensor, Solenoid valve, Low battery indicator
- Flexible inlet pipes
- Convertible for cold or premixed-water supply
- Without pop-up waste, Without draw-rod opening



Technical data

Flow properties

Flow-rate at 3 bar (with flow controller)	6.0 l/min
Pressure loss with flow (0.1 l/s)	2 bar

Technical properties

DN-size (nominal dimension)	DN15
Hot water supply	max. +70°C
Working pressure	1-10 bar
Connection size	G3/8
Projection	96 mm
Backflow prevention (EN1717)	EB
Material	Brass

Software settings

Afterflow period	2 s ± 1 s
Max. flow period	2 min

Electronic properties

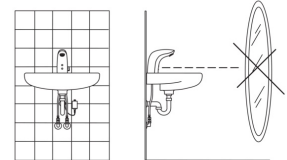
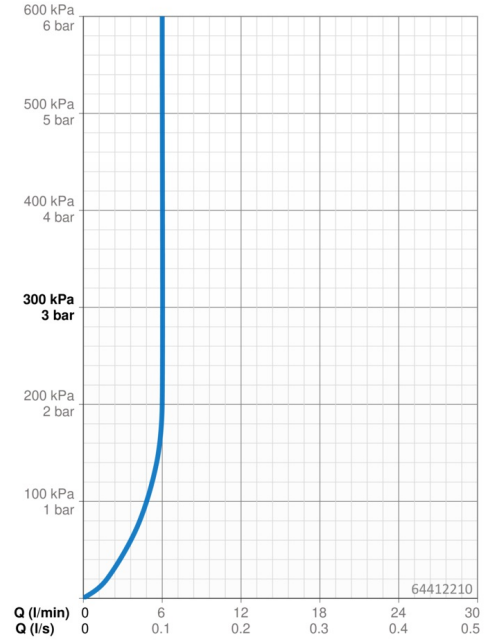
Battery	Lithium 2CR5 6 V
---------	-------------------------

Regulations

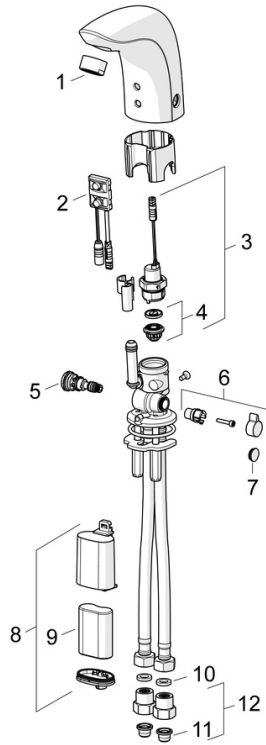
EU Directives	C € EMC Directive 2014/30/EU , RoHS Directive 2011/65/EU
EN standard	EN 15091, ETSI EN 301 489-1 V1.9.2 , ETSI EN 300 328 v2.2.2 , EN 61000-6-1:2007 , EN 61000-6-3:2007+A1:2011+AC:2012 , EN 60335-1:2012+A11+A13+A14+A15:2021, Part 19.11.4
Noise class	I (ISO 3822)
Protection class	IP 55

Approvals and Declarations

UN38.3	BP 0001-3
Declaration of conformity	EMC



Spare parts



SP64412210

	Name	Code
01	Aerator, M24x1, 6 l/min	59913727
02	Sensor, 6 V Discontinued	59914093
02	Sensor, 6 V /72h/2min Discontinued	59914286
02	Sensor, 6/9/12 V, Bluetooth	59914567
03	Solenoid valve, 6 V	59914091
04	Membrane for solenoid valve	1006500V
04	Membrane support ring Discontinued	59914090
05	Temperature regulator	59914089
06	Temperature control handle, L=15	59914096
07	Cover plug	59914097
08	Battery casing, 2CR5 6 V	59914088
09	Battery, 2CR5 6 V	59911670
10	Gasket, 8x14.3x2	59914087
11	Litter filters	59914085
12	One-way valve with litter screen	59914086