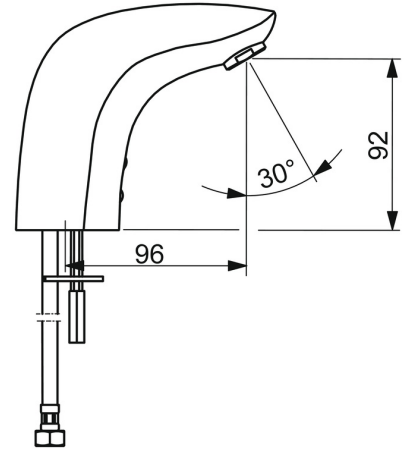
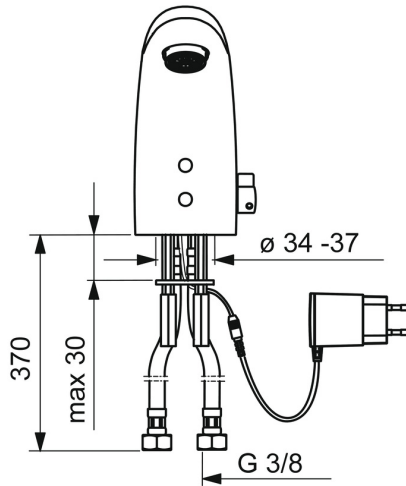
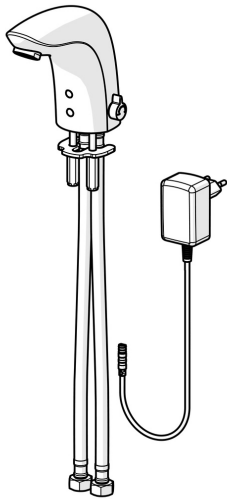


EAN: 4057304014055
static.hansa.com/64412009



- Washbasin
- Public & Semi-public, Housing
- Touchless, Bluetooth®, Plug transformer
- Deck mounted
- Chrome
- Fixed spout, Casted construction
- Standard aerator, PCA® - constant flow rate regardless of pressure variations
- Temperature control handle
- Temperature preset fixable
- Litter filter(s), Mixing valve for manual temperature control
- Autofocus infrared sensor, Solenoid valve, Power supply
- Flexible inlet pipes
- Software settings adjustable via App, Convertible for cold or premixed-water supply
- Without pop-up waste, Without draw-rod opening



Technical data

Flow properties

Flow-rate at 3 bar (with flow controller) **6.0 l/min**

Technical properties

DN-size (nominal dimension) **DN15**
 Hot water supply **max. +70°C**
 Working pressure **0.5-10 bar**
 Connection size **G3/8**
 Projection **96 mm**
 Backflow prevention (EN1717) **AA**
 Material **Brass**

Software settings

Afterflow period **3 s (1-20 s)**
 Automatic flush **off (off/1-120 h)**
 Automatic flush period **30 s (1-1800 s)**
 Max. flow period **2 min (1 - 1800 s)**

Electronic properties

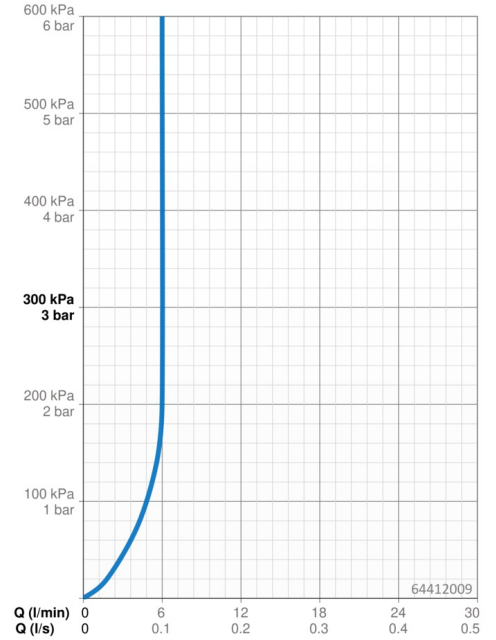
Electrical Connection **230 / 9 V**
 Bluetooth version **4.x (D034445)**

Regulations

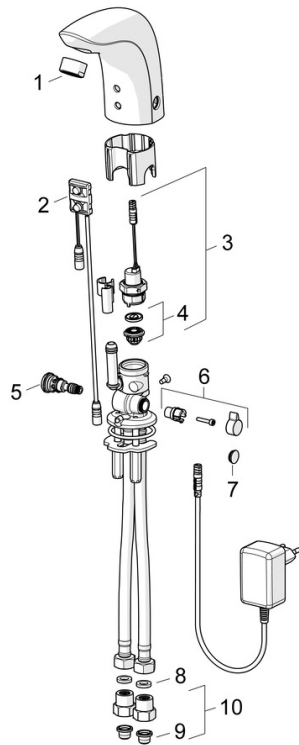
EU Directives **C € Radio Equipment Directive 2014/53/EU , Low Voltage Directive 2014/35/EU , EMC Directive 2014/30/EU , RoHS Directive 2011/65/EU**
 EN standard **EN 15091, ETSI EN 301 489-1 V1.9.2 , ETSI EN 300 328 v2.2.2 , EN 61000-6-1:2007 , EN 61000-6-3:2007+A1:2011+AC:2012 , EN 60335-1:2012+A11+A13+A1+A14+A2+A15:2021, Part 19.11.4**
 Protection class **IP 55 / transformer IP 20**

Approvals and Declarations

Declaration of conformity **RED**



Spare parts



SP64412000

	Name	Code
01	Aerator, M24x1, 6 l/min	59913727
02	Sensor, 12 V Discontinued	59914098
02	Sensor, 12 V /72h Discontinued	59914229
02	Sensor, 6/9/12 V, Bluetooth	59914567
03	Solenoid valve, 6 V	59914091
04	Membrane for solenoid valve	1006500V
04	Membrane support ring Discontinued	59914090
05	Temperature regulator	59914089
06	Temperature control handle, L=15	59914096
07	Cover plug	59914097
08	Gasket, 8x14.3x2	59914087
09	Litter filters	59914085
10	One-way valve with litter screen	59914086