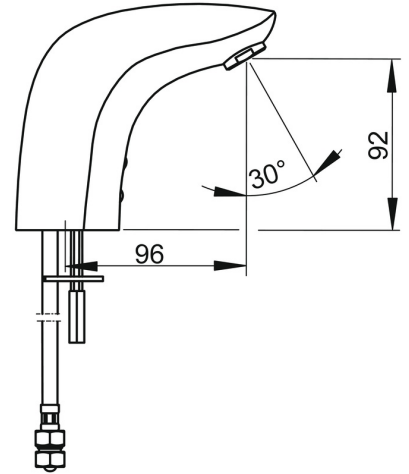
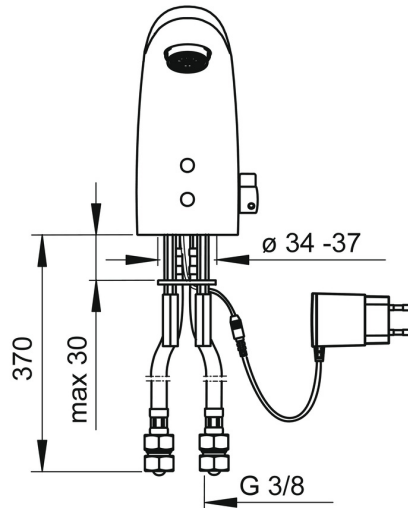
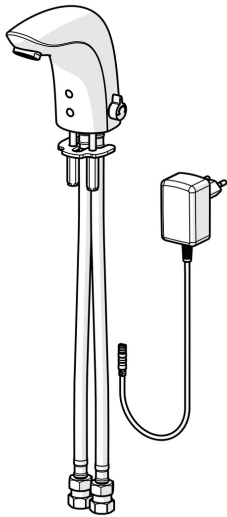


EAN: 4015474273306  
[static.hansa.com/64412001](http://static.hansa.com/64412001)



- Public & Semi-public
- Plug transformer, Touchless
- Deck mounted
- Chrome
- Fixed spout
- Standard aerator
- Temperature control handle
- Temperature preset fixable
- Litter filter(s), Mixing valve for manual temperature control
- Autofocus infrared sensor, Solenoid valve, Power supply
- Flexible inlet pipes
- Convertible for cold or premixed-water supply
- Without pop-up waste, Without draw-rod opening



## Technical data

### Flow properties

Flow-rate at 3 bar (with flow controller)	<b>6.0 l/min</b>
Pressure loss with flow (0.1 l/s)	<b>2 bar</b>

### Technical properties

DN-size (nominal dimension)	<b>DN15</b>
Hot water supply	<b>max. +70°C</b>
Working pressure	<b>1-10 bar</b>
Connection size	<b>G3/8</b>
Projection	<b>96 mm</b>
Backflow prevention (EN1717)	<b>EB</b>
Material	<b>Brass</b>

### Software settings

Afterflow period	<b>2 s ± 1 s</b>
Automatic flush	<b>72 h</b>
Automatic flush period	<b>30 s</b>
Max. flow period	<b>2 min</b>

### Electronic properties

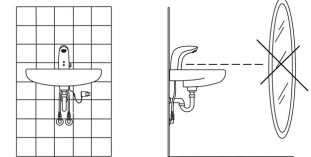
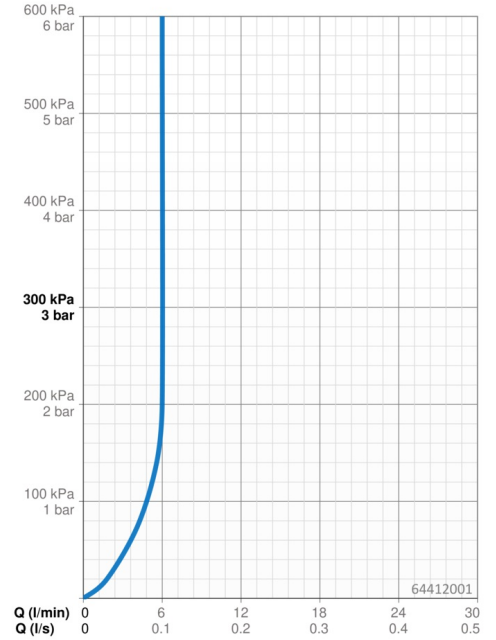
Electrical Connection	<b>12 VDC</b>
-----------------------	---------------

### Regulations

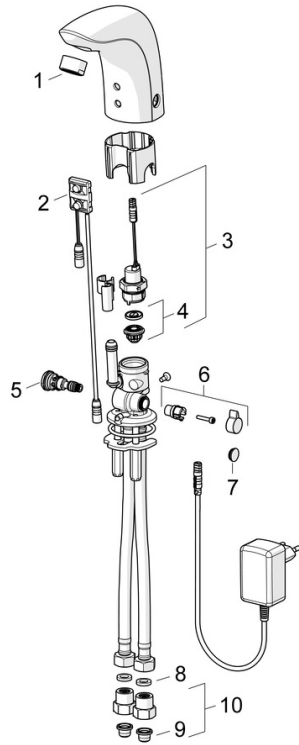
EU Directives	<b>C € Low Voltage Directive 2014/35/EU , EMC Directive 2014/30/EU , RoHS Directive 2011/65/EU</b>
EN standard	<b>EN 15091, ETSI EN 301 489-1 V1.9.2 , ETSI EN 300 328 v2.2.2 , EN 61000-6-1:2007 , EN 61000-6-3:2007+A1:2011+AC:2012 , EN 60335-1:2012+A11+A13+A1+A14+A2+A15:2021, Part 19.11.4</b>
Noise class	<b>I (ISO 3822)</b>
Protection class	<b>IP 55</b>

### Approvals and Declarations

Declaration of conformity	<b>LVD</b>
---------------------------	------------



## Spare parts



### SP64412000

	Name	Code
01	Aerator, M24x1, 6 l/min	59913727
02	Sensor, 12 V Discontinued	59914098
02	Sensor, 12 V /72h Discontinued	59914229
02	Sensor, 6/9/12 V, Bluetooth	59914567
03	Solenoid valve, 6 V	59914091
04	Membrane for solenoid valve	1006500V
04	Membrane support ring Discontinued	59914090
05	Temperature regulator	59914089
06	Temperature control handle, L=15	59914096
07	Cover plug	59914097
08	Gasket, 8x14.3x2	59914087
09	Litter filters	59914085
10	One-way valve with litter screen	59914086