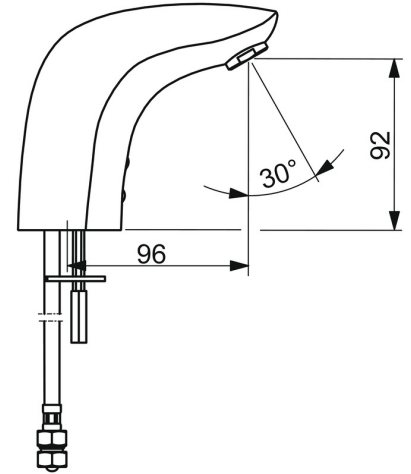
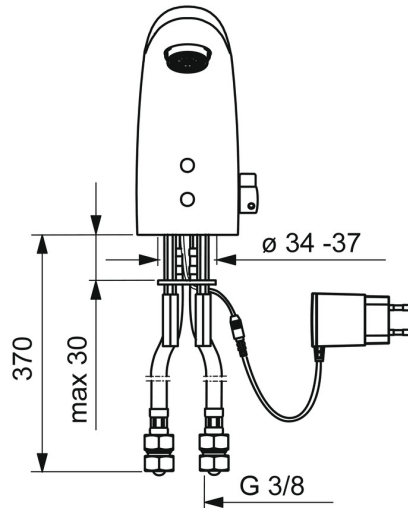
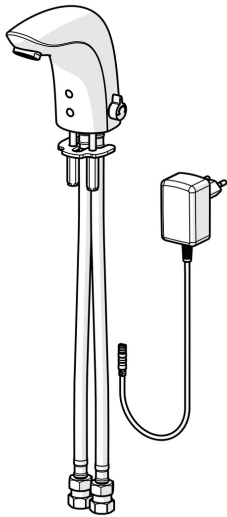


EAN: 4015474277076
static.hansa.com/64412000



- Public & Semi-public
- Plug transformer, Touchless
- Deck mounted
- Chrome
- Fixed spout, Casted construction
- Standard aerator, PCA® - constant flow rate regardless of pressure variations
- Temperature control handle
- Temperature preset fixable
- Litter filter(s), Mixing valve for manual temperature control
- Autofocus infrared sensor, Solenoid valve, Power supply
- Flexible inlet pipes
- Convertible for cold or premixed-water supply
- Without pop-up waste, Without draw-rod opening



Technical data

Flow properties

Flow-rate at 3 bar (with flow controller) **6.0 l/min**

Technical properties

DN-size (nominal dimension) **DN15**
 Hot water supply **max. +70°C**
 Working pressure **1-10 bar**
 Connection size **G3/8**
 Projection **96 mm**
 Backflow prevention (EN1717) **EB**
 Material **Brass**

Software settings

Afterflow period **2 s ± 1 s**
 Max. flow period **2 min**

Electronic properties

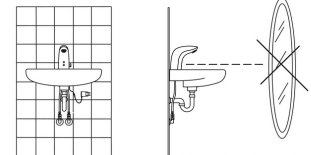
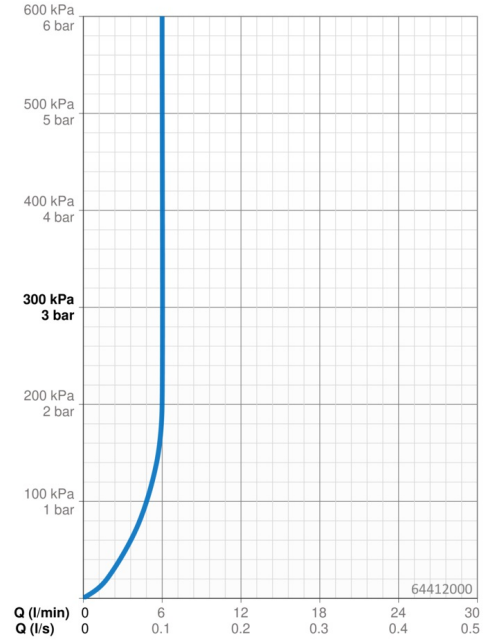
Electrical Connection **230 / 12 V**

Regulations

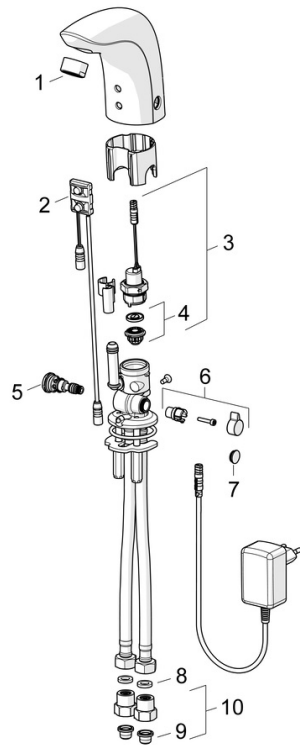
EU Directives **C E Low Voltage Directive 2014/35/EU , EMC Directive 2014/30/EU , RoHS Directive 2011/65/EU**
 EN standard **EN 15091, ETSI EN 301 489-1 V1.9.2, ETSI EN 300 328 v2.2.2, EN 61000-6-1:2007, EN 61000-6-3:2007+A1:2011+AC:2012, EN 60335-1:2012+A11+A13+A14+A2+A15:2021, Part 19.11.4**
 Protection class **IP 55 / transformer IP 40**

Approvals and Declarations

Declaration of conformity **LVD**



Spare parts



SP64412000

	Name	Code
01	Aerator, M24x1, 6 l/min	59913727
02	Sensor, 12 V Discontinued	59914098
02	Sensor, 12 V /72h Discontinued	59914229
02	Sensor, 6/9/12 V, Bluetooth	59914567
03	Solenoid valve, 6 V	59914091
04	Membrane for solenoid valve	1006500V
04	Membrane support ring Discontinued	59914090
05	Temperature regulator	59914089
06	Temperature control handle, L=15	59914096
07	Cover plug	59914097
08	Gasket, 8x14.3x2	59914087
09	Litter filters	59914085
10	One-way valve with litter screen	59914086