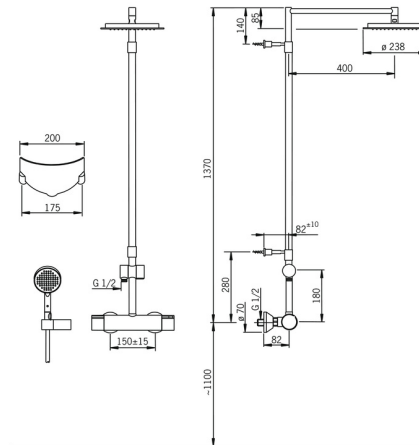
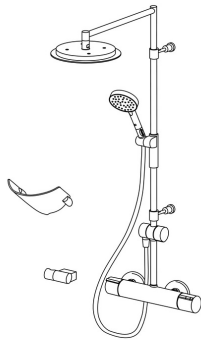


EAN: 4015474277236  
[static.hansa.com/64159101](http://static.hansa.com/64159101)



- Shower solutions
- Thermostatic
- Wall mounted
- Chrome
- Temperature control handle, Flow control handle
- Integrated into flow control handle
- Adjustable shower rail bracket, Shower hose (2000 mm), Overhead shower, Soap dish, Rotatable ball joint connection
- Safety stop against scalding at 38°C
- Thermostatic cartridge for automatic temperature control, Litter filter(s), Non-return valve(s), Ceramic head part for flow control
- Eccentric coupling(s)
- Inner body made of DZR brass
- protected against back-flow in domestic use (according to DIN EN 1717)
- 2 spray functions



## Technical data

### Flow properties

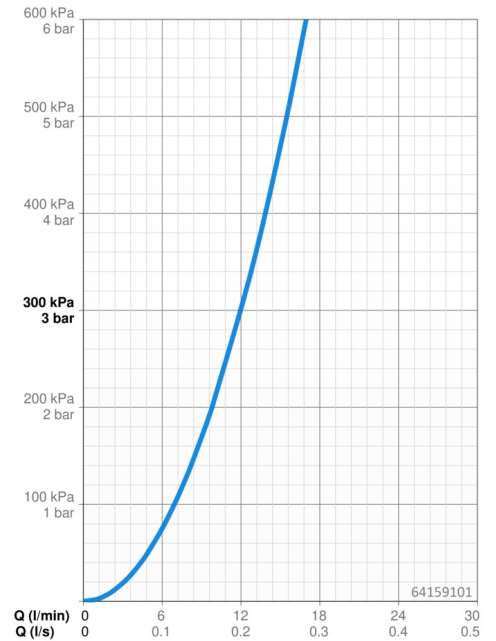
Flow-rate at 3 bar **12.0 l/min**

### Technical properties

DN-size (nominal dimension) **DN15**  
 Hot water supply **max. +80°C**  
 Working pressure **1-10 bar**  
 Installation width **cc150 ± 15 mm**  
 Backflow prevention (EN1717) **EB**

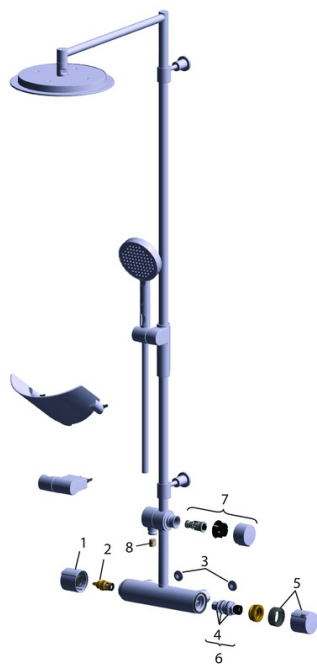
### Regulations

EN standard **EN 1111**



## Spare parts

### SP64159101



	Name	Code
1	Flow control handle Discontinued	59914246
2	Headpart, G1/2	59914111
3	Filter sealing, G3/4	59911076
4	O-ring kit	59914113
5	Temperature control handle Discontinued	59914134
6	Thermostatic cartridge, 3,4	59914114
7	Diverter	59914249
8	Non-return valve, DN15	59914250
N.I.	Soap holder	59914276
N.I.	Overhead shower, d 238 mm	59914277