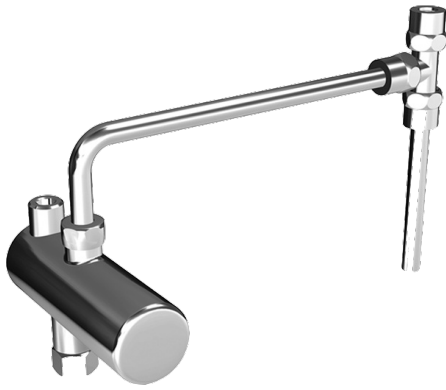
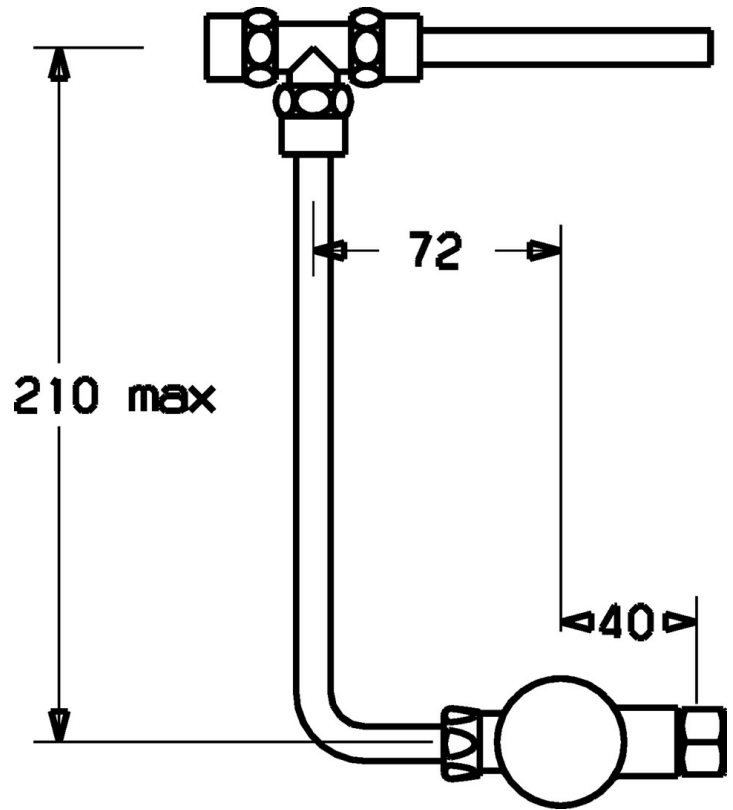
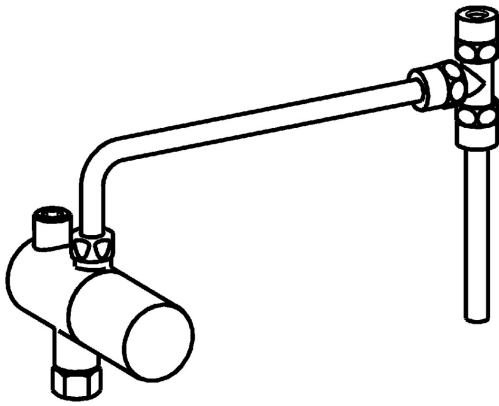


EAN: 4015474106260
static.hansa.com/63410100



- Public & Semi-public, Health & Care
- Chrome
- Non-return valve(s), Litter filter(s)
- Copper inlet pipes
- Thermal disinfection without cartridge readjustment
- T-piece



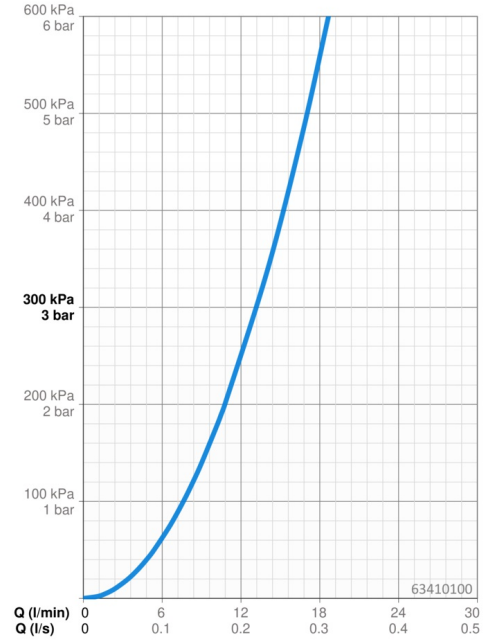
Technical data

Flow properties

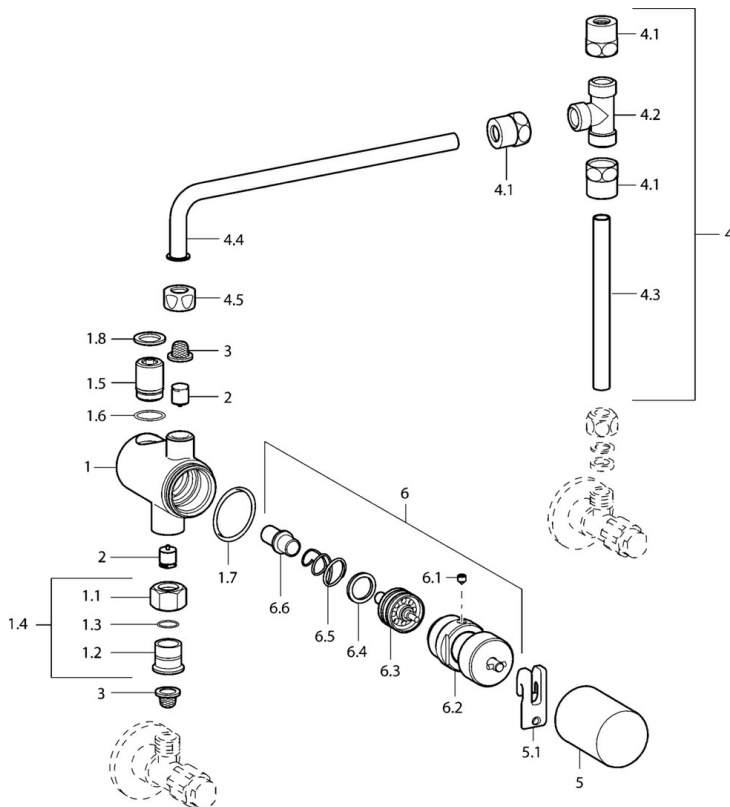
Flow-rate at 3 bar **13.2 l/min**

Technical properties

Hot water supply **max. +80°C**
 Working pressure **1-10 bar**
 Connection size **G3/8**
 Backflow prevention (EN1717) **EB**



Spare parts



SP63410100

| | Name | Code |
|------|--------------------------------------|----------|
| 1.3 | O-ring, d 10.10x1.60 Discontinued | 59905072 |
| 1.4 | Connection nipple, G3/8 Discontinued | 59912848 |
| 1.7 | O-ring, d 26.7x1.78 Discontinued | 59912849 |
| 1.8 | Sealing kit, 15x10x1 Discontinued | 59902927 |
| 2 | Non-return valve | 59911674 |
| 3 | Litter filter | 59911684 |
| 4 | Connection nipple, G3/8 | 59912850 |
| 4.1 | Cramping connector | 59905061 |
| 4.5 | Cramping connector | 59905061 |
| 5 | Covering cap Discontinued | 59912851 |
| 5.1 | Lever | 59912852 |
| 6 | Thermostatic cartridge | 59912847 |
| 6.1 | Screw, M5x6, SW2.5 | 59912617 |
| N.I. | Rinsing part | 59912853 |