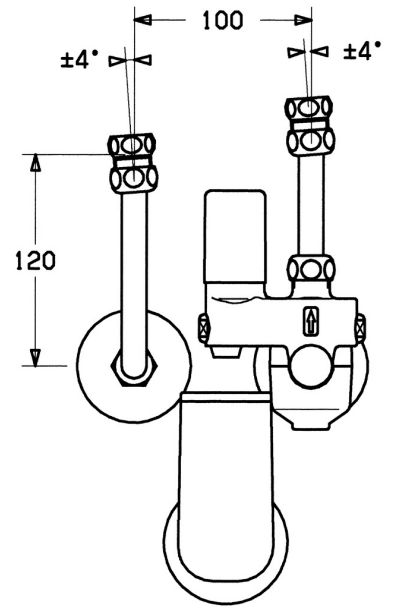
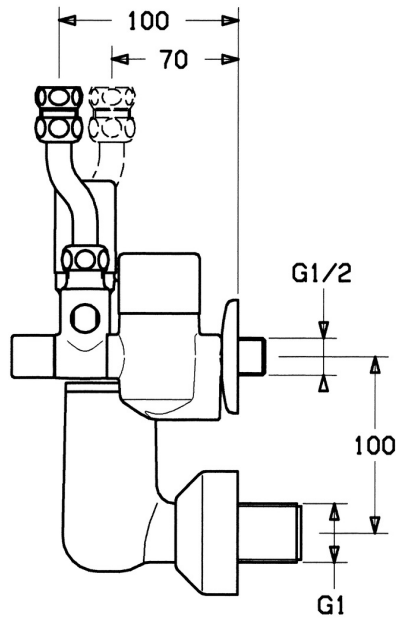
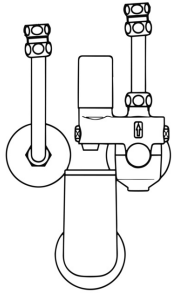


EAN: 4015474053618
static.hansa.com/63302350



- Bathroom

- Wall mounted



Technical data

Technical properties

DN-size (nominal dimension) **DN15**

Regulations

EN standard **EN 1488**

Noise class **I (ISO 3822)**

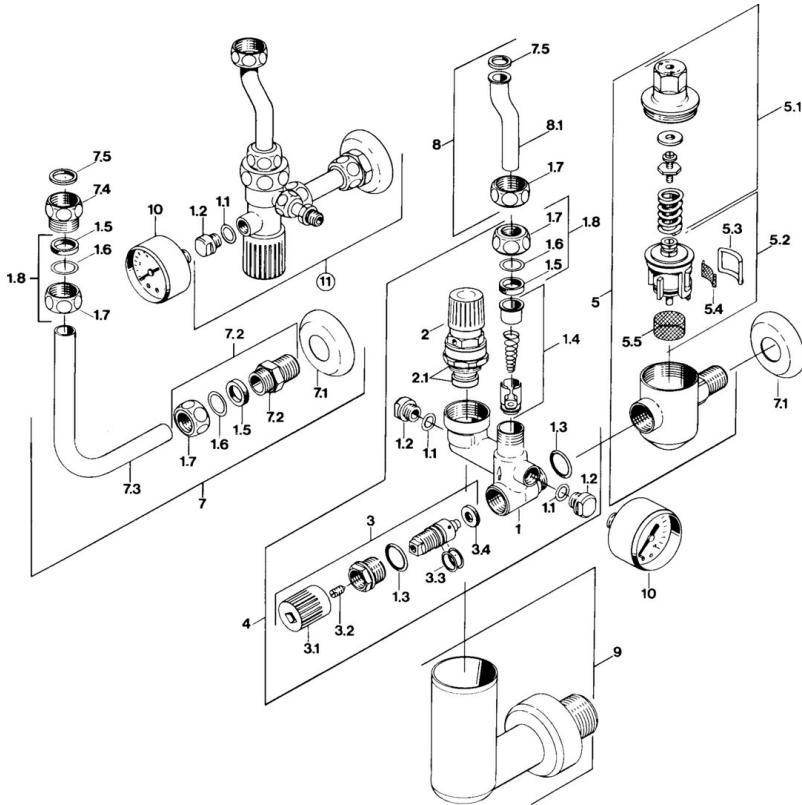
Approvals and Declarations

ABP **P-IX 38446/I**

TÜV **TÜV.SV.21-547.1/2".W.p**

Declaration of conformity **DoC**

Spare parts



SP63302350

Name	Code	
1.3	O-ring, d 18x2	59901422
1.4	Non-return valve	59905003
1.5	Sealing kit	59901999
1.6	Disk	59902456
1.7	Fitting nut	59901998
1.8	Connection nut, G1/2	59911214
2	Valve, 6 bar	59904642
2.1	Sealing kit	59911174
3	Shut-off valve	59904925
3.1	Covering cap Discontinued	59904924
4	Valve	59905142
5.1	Housing, SW24 SI	59904632
5.2	Line adjustment valve	59901981
5.3	Form sealing Discontinued	59901982
5.5	Strainer Discontinued	59904927
7	Pipe, L=120	59901103
7	Pipe, L=210	59905126
7.2	Nipple	59902427
7.3	Pipe	59902049
7.4	Nipple	59902560
7.5	Gasket, 18.5x12.2x1.5	59902313
8	Pipe	59905125
9	Drain and filling valve	59905074
10	Display, R1/4 10 bar SI Discontinued	59902545