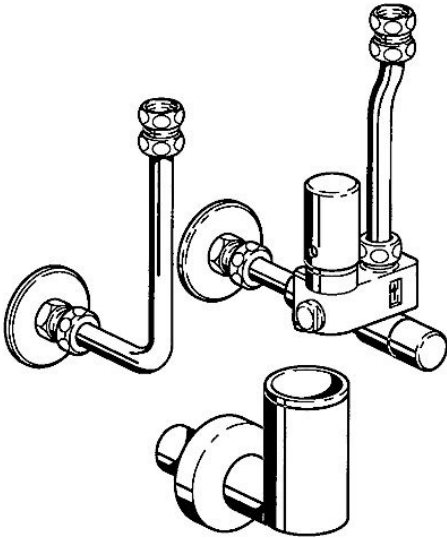


EAN: 4015474053793
static.hansa.com/632123500061

- Bathroom
- Wall mounted
- Non-return valve(s)



Technical data

Technical properties

| | |
|------------------------------|-------------------|
| Hot water supply | max. +80°C |
| Working pressure | 0.5-10 bar |
| Backflow prevention (EN1717) | EB |

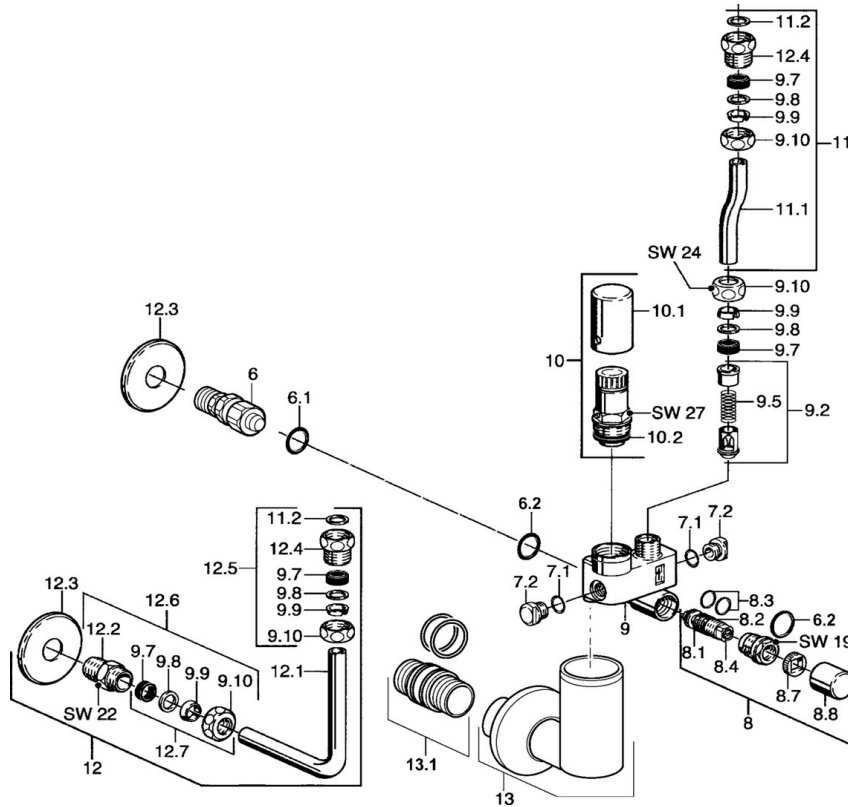
Regulations

| | |
|-------------|---------------------|
| Noise class | I (ISO 3822) |
|-------------|---------------------|

Approvals and Declarations

| | |
|-----|---------------------|
| ABP | P-IX 38446/I |
|-----|---------------------|

Spare parts



SP632123500061

| | Name | Code |
|------|------------------------------------|----------|
| 6 | Connection nipple | 59910737 |
| 6.1 | O-ring, d 10x2.5 Discontinued | 59914057 |
| 6.2 | O-ring, d 18x2 | 59901422 |
| 7.1 | O-ring, d 10.10x1.60 Discontinued | 59905072 |
| 8 | Shut-off valve | 59904925 |
| 9 | Valve | 59912245 |
| 9.2 | Non-return valve | 59905003 |
| 9.7 | Sealing kit | 59901999 |
| 9.8 | Disk | 59902456 |
| 9.9 | Ring | 59912040 |
| 9.10 | Fitting nut | 59901998 |
| 10 | Valve, 6 bar | 59904642 |
| 10.2 | Sealing kit | 59911174 |
| 11 | Pipe | 59905125 |
| 11.2 | Gasket, 18.5x12.2x1.5 | 59902313 |
| 12 | Pipe, L=210 | 59905126 |
| 12.4 | Nipple | 59902560 |
| 12.5 | Connection nipple | 59912043 |
| 12.6 | Nipple | 59902427 |
| 12.7 | Connection nut, G1/2 | 59911214 |
| 13.1 | Conversion nipple, G1/2-G3/4, L=45 | 59909003 |