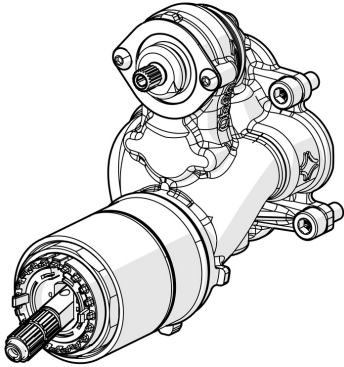


EAN: 4057304008283
static.hansa.com/59914514

- Spare parts
- Limitation option for maximum temperature and flow-rate, Adjustable hot water stop (included, retrofittable)
- \varnothing 40 mm ceramic cartridge for flow and temperature control
- Manual, ceramic, pressure independent diverter with volume control and stop function for two outlets



Technical data

Flow properties

Flow-rate at 3 bar

20.4 / 20.4 l/min

