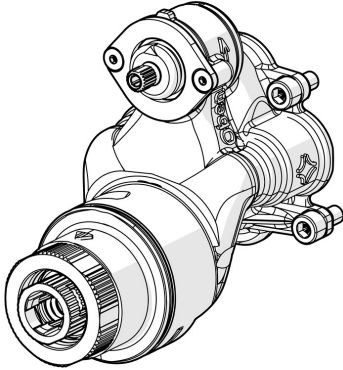


EAN: 4057304001758
static.hansa.com/59914316

- Spare parts
- Non-return valve(s), Thermostatic cartridge for automatic temperature control
- Manual, ceramic, pressure independent diverter with volume control and stop function for two outlets



Technical data

Flow properties

Flow-rate at 3 bar **20.4 l/min**

Regulations

EN standard **EN 1111**

Approvals and Declarations

Declaration of conformity **DoC**

