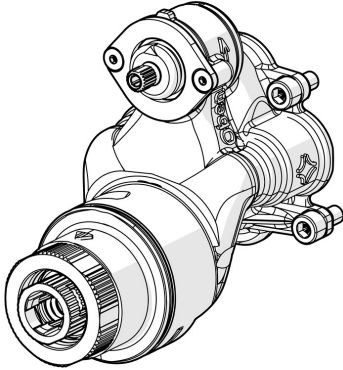


EAN: 4057304001703
static.hansa.com/59914311

- Spare parts
- Non-return valve(s), Thermostatic cartridge for automatic temperature control
- Manual, ceramic, pressure independent diverter with volume control and stop function for two outlets



Technical data

Flow properties

Flow-rate at 3 bar

20.4 / 20.4 l/min

