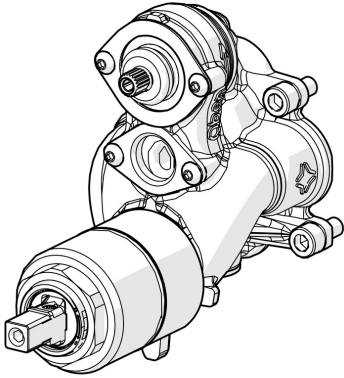


EAN: 4057304001574
static.hansa.com/59914298

- Spare parts
- Non-return valve(s), \varnothing 35 mm ceramic cartridge for flow and temperature control
- Manual, ceramic, pressure independent diverter with volume control and stop function for two outlets



Technical data

Flow properties

Flow-rate at 3 bar

21.0 / 21.0 l/min

