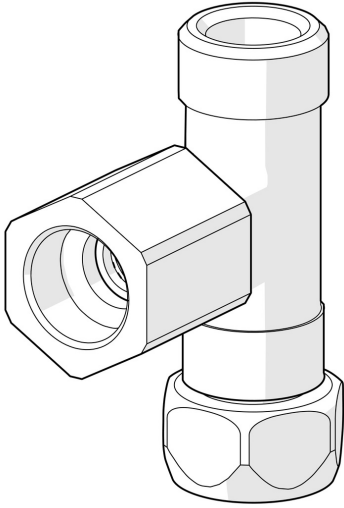


EAN: 4015474214590
static.hansa.com/59913480

- Spare parts



Technical data

Technical properties

Connection size

M14x1 ND