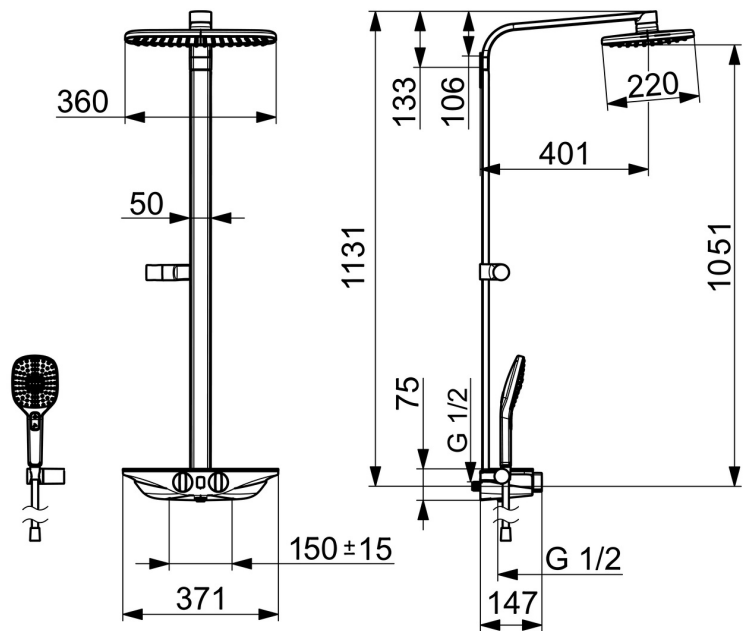
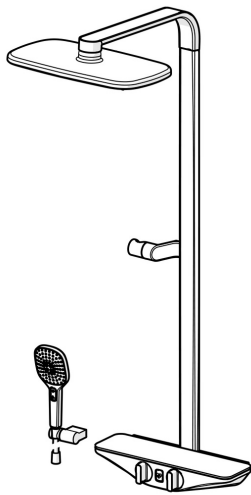


EAN: 4057304007859
static.hansa.com/5865017284



- Shower solutions
- Thermostatic, Bluetooth®, Battery-operated
- Wall mounted
- Chrome/Grey
- Temperature control handle, Flow control handle
- Turn operated diverter, Integrated into flow control handle
- Hand shower, Shower holder, Shower hose (1750 mm), Overhead shower, Rotatable ball joint connection
- Pulsating - Strong water stream for massage or body treatment, Intense - invigorating water stream, Sensitive - Gentle water stream
- Safety stop against scalding at 38°C, The housing of the fittings conducts minimal heat
- Thermostatic cartridge for automatic temperature control, Non-return valve(s)
- Solenoid valve, External control unit, Light indicated function(s), Low battery indicator
- Ball eccentric coupling(s)
- Safety glass, Software settings adjustable via App
- protected against back-flow in domestic use (according to DIN EN 1717)
- 3 spray functions



Technical data

Flow properties

Flow-rate at 3 bar	12.0 l/min
Pressure loss with flow (0.2 l/s)	2.1 bar

Technical properties

DN-size (nominal dimension)	DN15
Hot water supply	max. +70°C
Working pressure	1-10 bar
Connection size	G1/2
Installation width	150 ± 15 mm
Projection	401 mm
Backflow prevention (EN1717)	EB
Material	Brass

Electronic properties

Battery	AA 1.5 V Lithium x 4
Bluetooth version	4.x (D034445)

Regulations

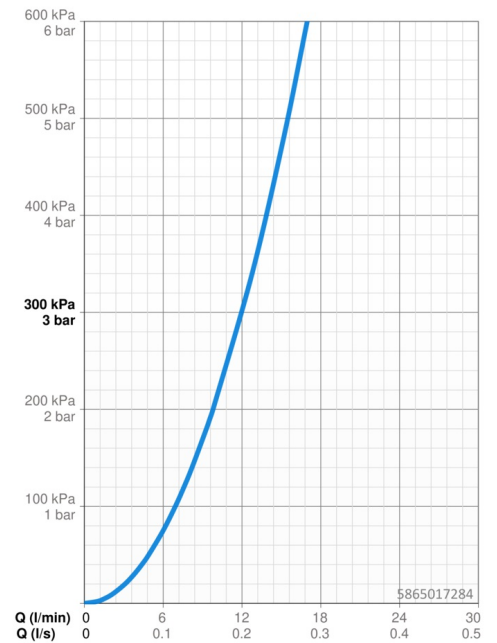
EU Directives	<p>CE Radio Equipment Directive 2014/53/EU , Low Voltage Directive 2014/35/EU , EMC Directive 2014/30/EU , RoHS Directive 2011/65/EU</p>
EN standard	<p>EN 1111, EN 1112, EN 1113, EN 15091, ETSI EN 301 489-1 V1.9.2 , ETSI EN 300 328 v2.2.2 , EN 61000-6-1:2007 , EN 61000-6-3:2007+A1:2011+AC:2012 , EN 60335-1:2012+A11+A13+A14+A15:2021, Part 19.11.4</p>
Noise class	I (ISO 3822) Oras lab.
Protection class	IP 55

Approvals and Declarations

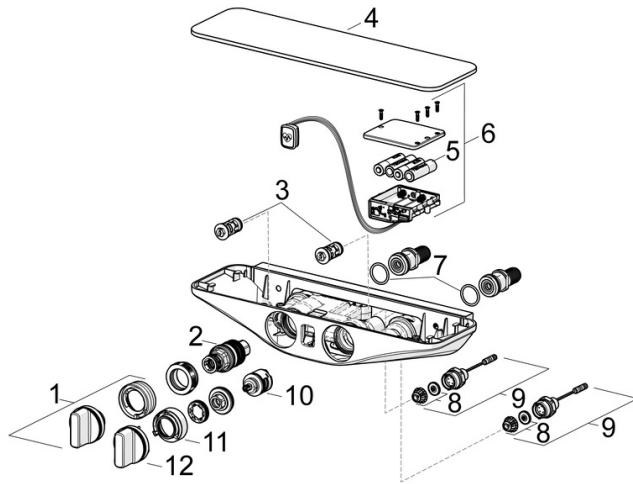
UN38.3	UN38-3 Energizer L91
Declaration of conformity	RED



Focus Open 2017
Special Mention



Spare parts



SP5865017284

	Name	Code
01	Temperature control handle	59914596
02	Thermostatic cartridge, 3.4	59914114
03	One-way valve with litter screen	59913696
03	One-way valve with litter screen, (9/2018-)	59914727
04	Cover plate Grey	59914605
05	Battery, 1.5 V AA Lithium	59914136
06	Control unit, 6 V /Wellfit/Bluetooth	59914630
07	O-ring, 25.07x2.62	59911479
08	Membrane for solenoid valve	1006500V
08	Membrane support ring Discontinued	59914090
09	Solenoid valve, 6 V	59914091
10	Diverter	59914183
11	Flow limiter Discontinued	59914631
12	Flow control handle Discontinued	59914599
N.I.	Connector, G1/2	59911491