

EAN: 4015474003927
static.hansa.com/58649105



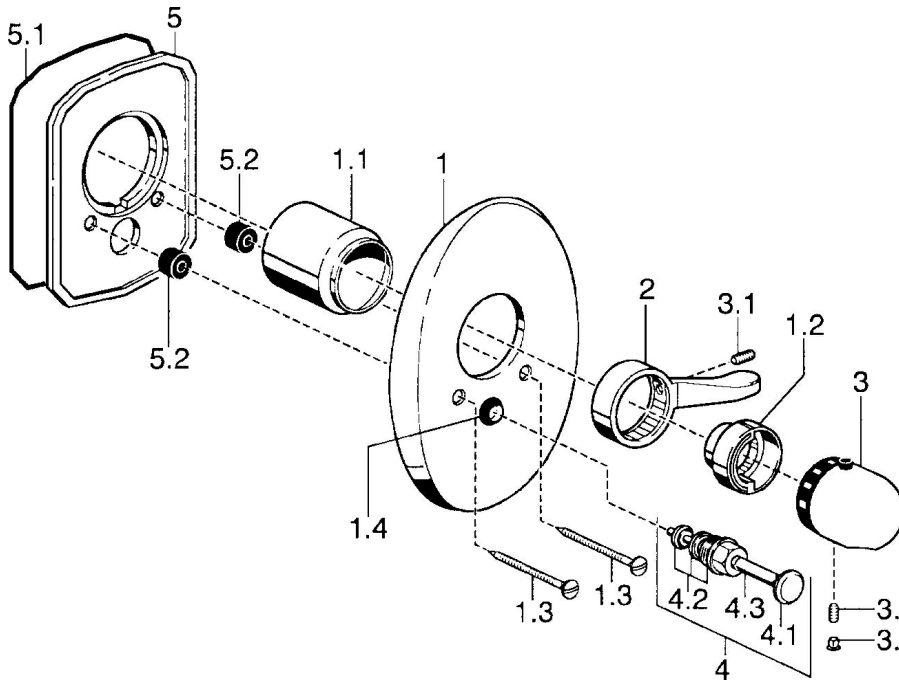
- Bathtub & Shower
- Trim Kit
- Concealed wall mounting
- Chrome
- Temperature control handle
- Pull operated diverter

Technical data

Technical properties

| | |
|------------------|-------------------|
| Hot water supply | max. +80°C |
| Working pressure | 0.5-10 bar |

Spare parts



SP58649105

| | Name | Code |
|------|--|----------|
| 1 | Cover plate Discontinued | 59911911 |
| 1.1 | Covering cap Gold Discontinued | 59911575 |
| 1.1 | Covering cap | 59911570 |
| 1.2 | Temperature adjustment limiter | 59906355 |
| 1.3 | Screw, M5x65 Gold Discontinued | 59904849 |
| 1.3 | Screw, M5x65 | 59904847 |
| 1.4 | Flow limiting cap | 59904846 |
| 2 | Lever | 59905722 |
| 2 | Lever Chrome/Satin Discontinued | 59906135 |
| 3 | Temperature control handle, (-38°) | 59911280 |
| 3 | Temperature control handle | 59910304 |
| 3 | Temperature control handle Chrome/Satin Discontinued | 59910305 |
| 3.1 | Screw, M6x9.5 | 59901609 |
| 3.2 | Cover plug | 59911840 |
| 3.2 | Plug Chrome/Satin Discontinued | 59911917 |
| 4 | Diverter Gold Discontinued | 59906392 |
| 4 | Diverter | 59911156 |
| 4 | Diverter Chrome/Satin Discontinued | 59910903 |
| 4.2 | Sealing kit | 59904791 |
| 4.3 | O-ring, d 4x1 | 59902331 |
| 5 | Fixing plate Discontinued | 59911915 |
| N.I. | Raising kit, 35 mm | 59911438 |