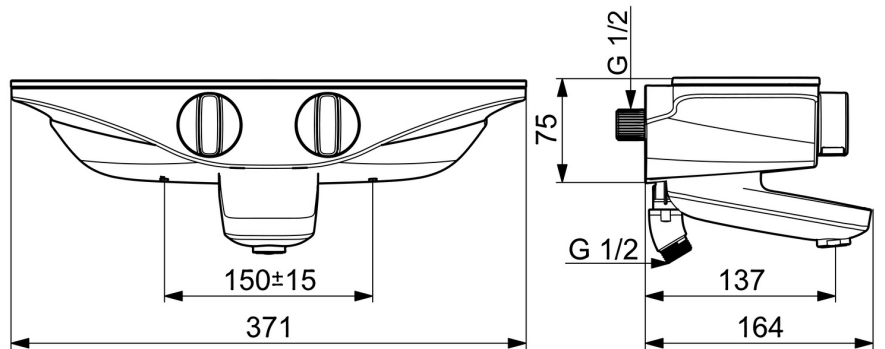
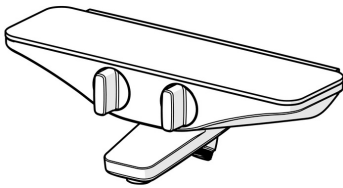


EAN: 4057304008733
static.hansa.com/5864217182



The HANSAEMOTION Bath and Shower Faucet is wall mounted and features a fixed spout with chrome or white surface treatment. It has a thermostatic connection type with ball eccentric coupling(s) and a thermostatic cartridge for automatic temperature control. It also has temperature adjustments with safety stop against scalding at 38°C, and minimal heat conducted by the housing of the fittings. This faucet also has a turn operated diverter and a standard aerator.

- Bathtub & Shower
- Thermostatic
- Wall mounted
- Chrome/White
- Fixed spout
- Standard aerator
- Temperature control handle, Flow control handle
- Turn operated diverter, Integrated into flow control handle
- Safety stop against scalding at 38°C, The housing of the fittings conducts minimal heat
- Thermostatic cartridge for automatic temperature control
- Ball eccentric coupling(s)
- Safety glass
- protected against back-flow in domestic use (according to DIN EN 1717)



Technical data

Flow properties

Flow-rate at 3 bar	16.8 / 13.8 l/min
Pressure loss with flow (0.2 l/s)	2.3 bar

Technical properties

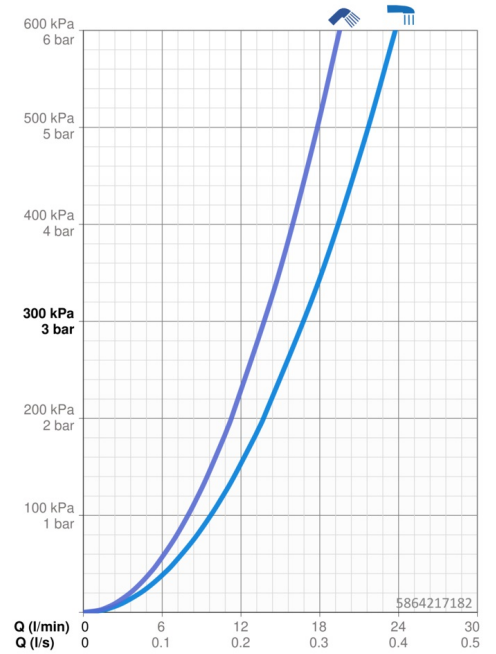
DN-size (nominal dimension)	DN15
Hot water supply	max. +80°C
Working pressure	1-10 bar
Connection size	G1/2
Installation width	150 ± 15 mm
Projection	137 mm
Backflow prevention (EN1717)	EB
Material	Brass

Regulations

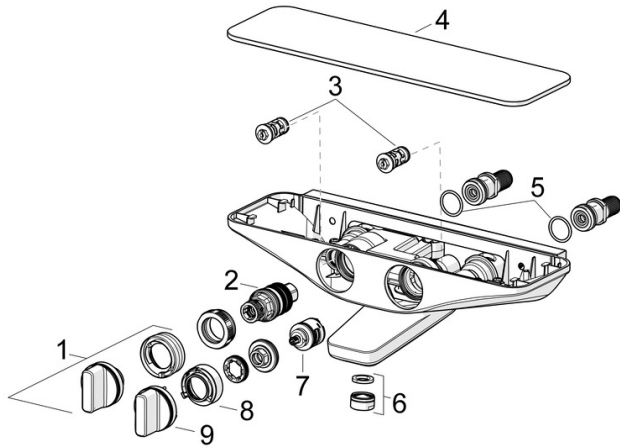
EN standard	EN 1111
Noise class	I (ISO 3822) Oras lab.

Approvals and Declarations

Declaration of conformity	DoC
---------------------------	------------



Spare parts



SP5864217182

	Name	Code
01	Temperature control handle	59914596
02	Thermostatic cartridge, 3.4	59914114
03	One-way valve with litter screen	59913696
04	Cover plate White	59914601
05	O-ring, 25.07x2.62	59911479
06	Aerator, M24x1 D	59911829
07	Diverter	59914183
08	Flow limiter Discontinued	59914635
09	Flow control handle Discontinued	59914599
N.I.	Connector, G1/2	59911491
N.I.	Adapter	03990100