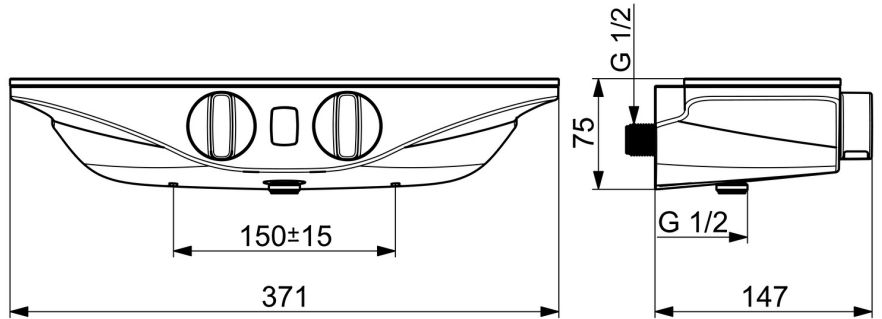
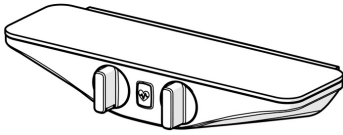


EAN: 4057304008757
static.hansa.com/5863017282



- Shower solutions
- Thermostatic, Bluetooth®, Battery-operated
- Wall mounted
- Chrome/White
- Temperature control handle, Flow control handle
- Safety stop against scalding at 38°C, The housing of the fittings conducts minimal heat
- Thermostatic cartridge for automatic temperature control
- Solenoid valve, Light indicated function(s), Low battery indicator
- Ball eccentric coupling(s)
- Safety glass, Software settings adjustable via App
- protected against back-flow in domestic use (according to DIN EN 1717)



Technical data

Flow properties

Flow-rate at 3 bar	12.0 l/min
Pressure loss with flow (0.2 l/s)	3 bar

Technical properties

DN-size (nominal dimension)	DN15
Hot water supply	max. +70°C
Working pressure	1-10 bar
Connection size	G1/2
Installation width	150 ± 15 mm
Backflow prevention (EN1717)	EB
Material	Brass

Electronic properties

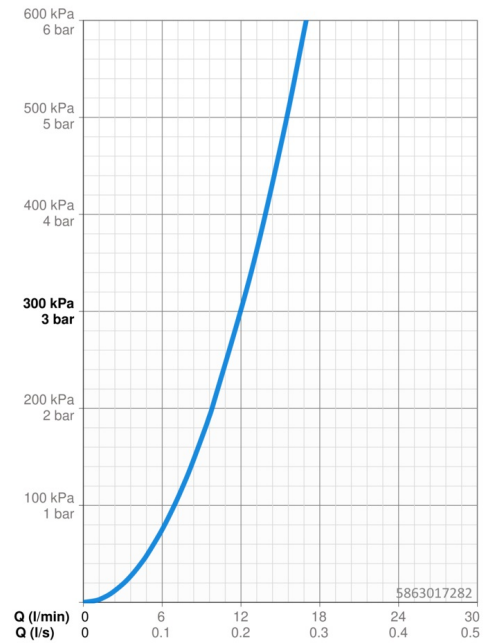
Battery	AA 1.5 V Lithium x 4
Bluetooth version	4.x (D034445)

Regulations

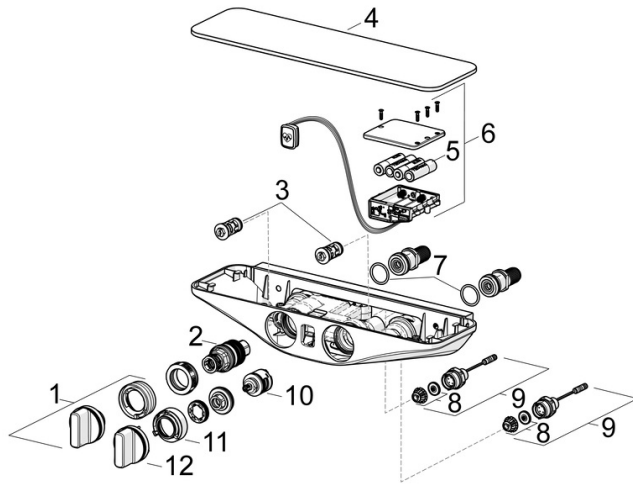
EU Directives	C € Radio Equipment Directive 2014/53/EU , Low Voltage Directive 2014/35/EU , EMC Directive 2014/30/EU , RoHS Directive 2011/65/EU
EN standard	EN 1111 , EN 15091, ETSI EN 301 489-1 V1.9.2 , ETSI EN 300 328 v2.2.2 , EN 61000-6-1:2007 , EN 61000-6-3:2007+A1:2011+AC:2012 , EN 60335-1:2012+A11+A13+A14+A14+A2+A15:2021, Part 19.11.4
Noise class	I (ISO 3822) Oras lab.
Protection class	IP 55

Approvals and Declarations

UN38.3	UN38-3 Energizer L91
Declaration of conformity	RED



Spare parts



SP5863017282

	Name	Code
01	Temperature control handle	59914596
02	Thermostatic cartridge, 3.4	59914114
03	One-way valve with litter screen	59913696
03	One-way valve with litter screen, (9/2018-)	59914727
04	Cover plate White	59914598
05	Battery, 1.5 V AA Lithium	59914136
06	Control unit, 6 V /Wellfit/Bluetooth	59914630
07	O-ring, 25.07x2.62	59911479
08	Membrane for solenoid valve	1006500V
08	Membrane support ring Discontinued	59914090
09	Solenoid valve, 6 V	59914091
10	Diverter	59914183
11	Flow limiter Discontinued	59914632
12	Flow control handle Discontinued	59914599
N.I.	Adapter	03990100
N.I.	Connector, G1/2	59911491