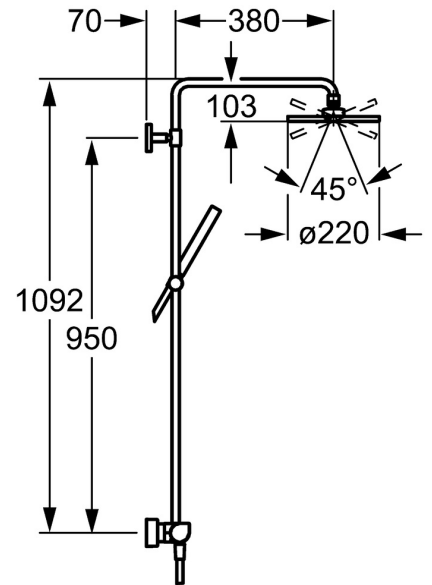
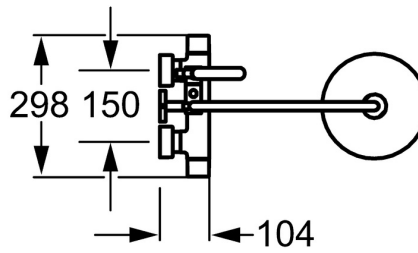
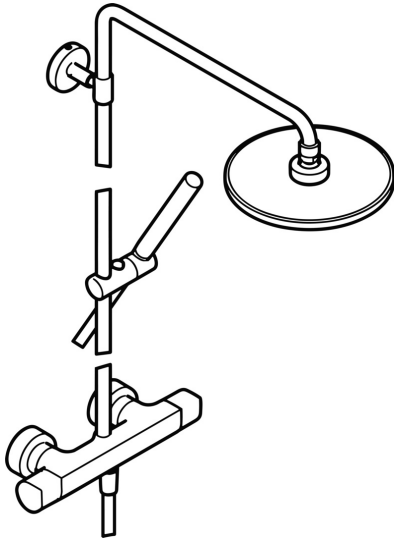


EAN: 4015474171336
static.hansa.com/58429103



- Shower solutions
- Thermostatic
- Wall mounted
- Chrome
- Temperature control handle, Flow control handle
- Turn operated diverter, Integrated into flow control handle
- Hand shower, Shower rail, Overhead shower, Adjustable shower rail bracket, Shower hose (1600 mm), Variable fixing points, Rotatable ball joint connection, Anti limescale technology (easy to clean)
- Intense - invigorating water stream
- Adjustable hot water stop (included, retrofittable), Safety stop against scalding at 38°C
- Thermostatic cartridge for automatic temperature control, Non-return valve(s), Litter filter(s)
- Eccentric coupling(s), Cover plate(s), Silencer(s)
- Inner body made of DZR brass
- protected against back-flow in domestic use (according to DIN EN 1717)
- 1 spray function



Technical data

Flow properties

Flow-rate at 3 bar **12.0 / 13.2 l/min**

Technical properties

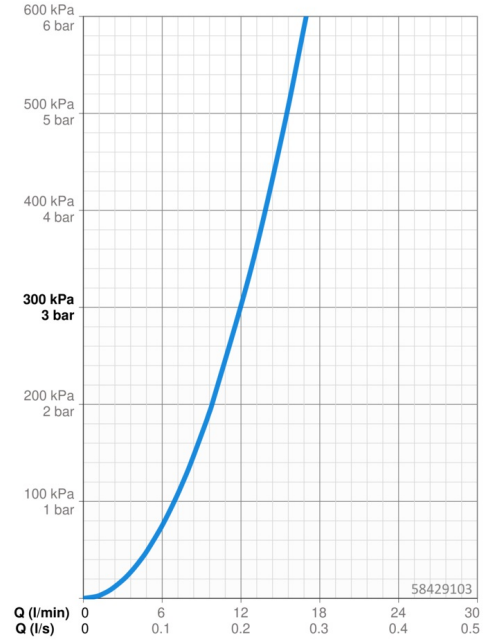
DN-size (nominal dimension) **DN15**
 Hot water supply **max. +65°C**
 Working pressure **1-10 bar**
 Connection size **G1/2**
 Installation width **150 ± 15 mm**
 Projection **450 mm**
 Backflow prevention (EN1717) **EB**

Regulations

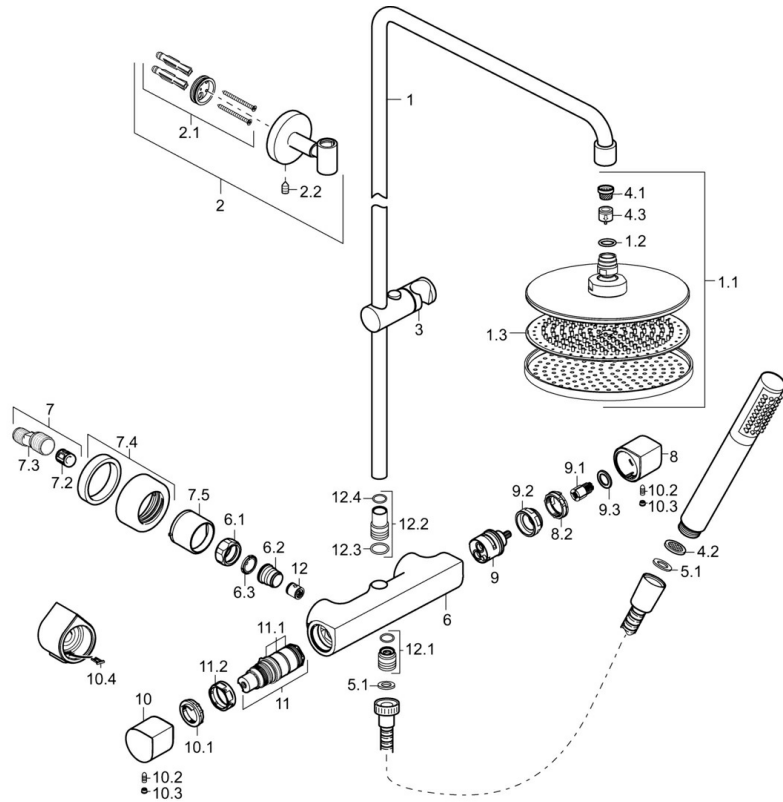
EN standard **EN 1111, EN 1112, EN 1113**

Approvals and Declarations

Declaration of conformity **DoC**



Spare parts



SP58429103

	Name	Code
1	Shower pipe, d 18	59913473
1.1	Headshower, d 220 mm	59912432
1.2	O-ring, 20x2	59912435
1.3	Nozzle plate, (-2013)	59912908
2	Wall support Discontinued	59913472
2.1	Fixing set Discontinued	59913021
2.2	Screw, M5x6, SW2.5	59912617
3	Slide for shower rail, d 18 mm	59912781
4.1	Strainer	59906859
4.2	Flow limiter	59912777
4.3	Flow limiter	59912777
5.1	Gasket ring, d 21x12x2	59912304
6	Thermostat	59913600
6.1	Connection nut, G3/4, AF30	59902230
6.2	Nipple	59911075
6.3	Filter sealing, G3/4	59911076
7	Eccentric connector, G3/4xG1/2, DN15	59910254
7.2	Silencer	59904792
7.4	Cover flange	59913105
7.5	Cover sleeve	59913106
8	Flow control handle, (2010-)	59913777
8.2	Adjusting ring	59913466
9	Diverter	59913468
9.1	Bushing	59912158
9.2	Tightening nut, M34x1, AF32	59913467
10	Temperature control handle, (2010-)	59913778
10.1	Temperature adjustment limiter	59913465
10.2	Screw, M5x8, SW2.5	59904755
10.3	Cover plug	59911840
10.4	Wall hanger	59913464
11	Thermostatic cartridge	59913311
11	Thermostatic cartridge, H/C reversed	59913463
11.1	O-ring, d 26x2	59911081
11.2	Tightening nut, M34x1, SW32	59911082
12	Non-return valve	59905714
12.1	Thread nipple, G1/2xM18x1	59911384
12.2	Adapter, M10x1 SW6	59913474
12.3	O-ring, d 9.19x2.62 Discontinued	59913475
12.4	O-ring, d 8.1x1.6 Discontinued	59910692
N.I.	Connection nipple, G1/2, M24x1	59913137