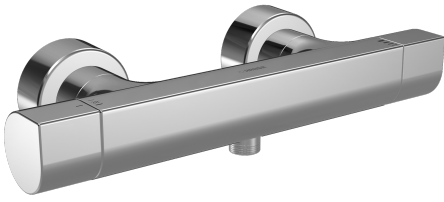
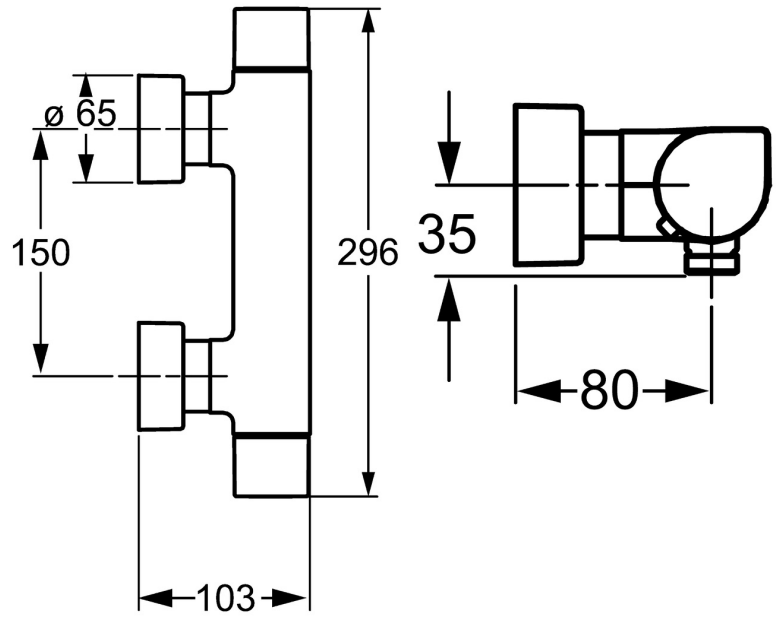
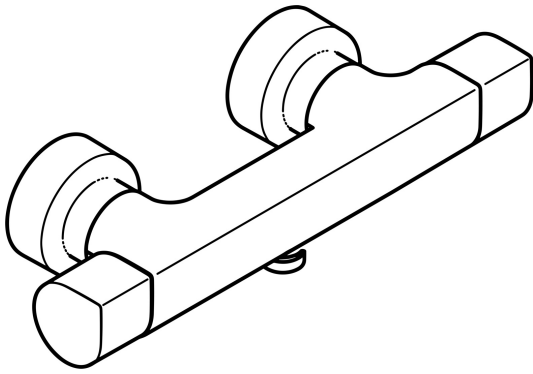


EAN: 4015474169920
static.hansa.com/58410101



- Shower solutions
- Thermostatic
- Wall mounted
- Chrome
- Temperature control handle, Flow control handle, Eco feature for water flow
- Adjustable hot water stop (included, retrofittable), Safety stop against scalding at 38°C
- Thermostatic cartridge for automatic temperature control, Ceramic head part for flow control, Non-return valve(s), Litter filter(s)
- Eccentric coupling(s), Cover plate(s), Silencer(s)
- Inner body made of DZR brass, Thermal disinfection without cartridge readjustment
- protected against back-flow in domestic use (according to DIN EN 1717)



Technical data

Flow properties

Flow-rate at 3 bar **19.8 l/min**

Technical properties

DN-size (nominal dimension) **DN15**
 Hot water supply **max. +80°C**
 Working pressure **1-10 bar**
 Connection size **G1/2**
 Installation width **150 ± 15 mm**
 Backflow prevention (EN1717) **EB**
 Material **Brass**

Regulations

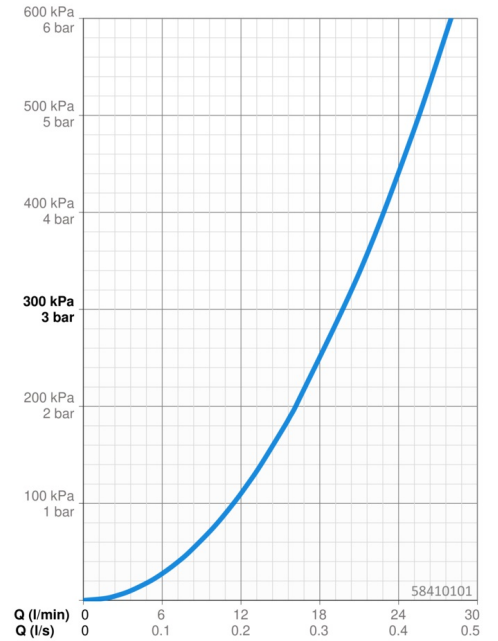
EN standard **EN 1111**
 Noise class **I (ISO 3822)**

Approvals and Declarations

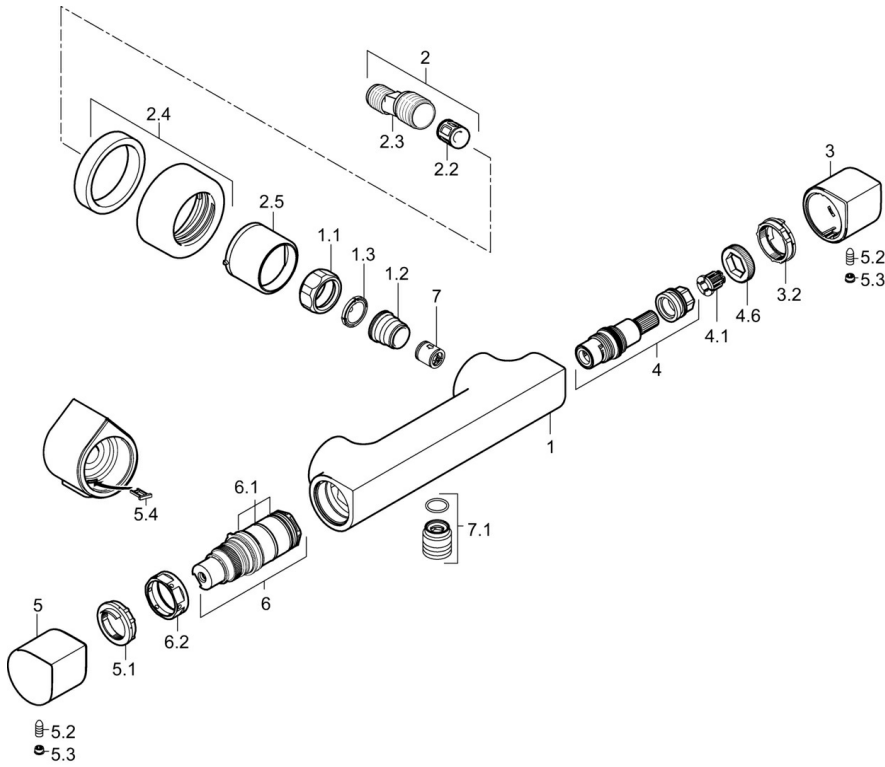
ABP **PA-IX 10130/IB**
 Declaration of conformity **DoC**



reddot design award
winner 2009



Spare parts



SP58410101

	Name	Code
1.1	Connection nut, G3/4, AF30	59902230
1.2	Nipple	59911075
1.3	Filter sealing, G3/4	59911076
2	Eccentric connector, G3/4xG1/2, DN15	59910254
2.2	Silencer	59904792
2.4	Cover flange	59913105
2.5	Cover sleeve	59913106
3	Flow control handle, (2010-)	59913779
3.2	Adjusting ring	59913466
4	Headpart, G1/2	59913470
4.1	Adapter White	59910235
4.6	Ring	59913469
5	Temperature control handle, (2010-)	59913778
5.1	Temperature adjustment limiter	59913465
5.2	Screw, M5x8, SW2.5	59904755
5.3	Cover plug	59911840
5.4	Wall hanger	59913464
6	Thermostatic cartridge	59913311
6.1	O-ring, d 26x2	59911081
6.2	Tightening nut, M34x1, SW32	59911082
7	Non-return valve	59905714
7.1	Thread nipple, G1/2xM18x1	59911384
N.I.	Thermostatic cartridge, H/C reversed	59913463