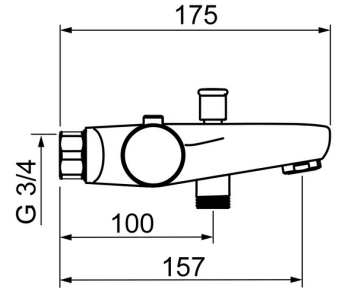
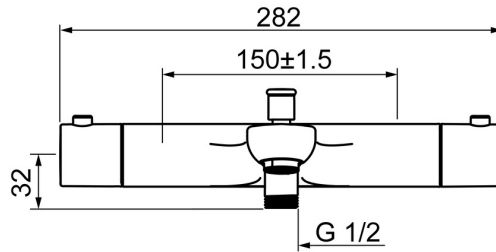
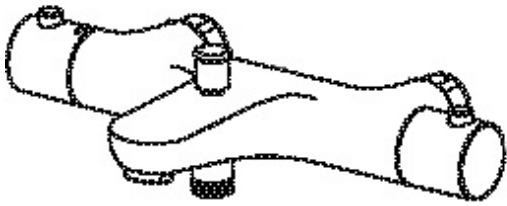


EAN: 4015474277656  
[static.hansa.com/58372001](http://static.hansa.com/58372001)



- Bathtub & Shower
- Thermostatic
- Wall mounted
- Chrome
- Fixed spout
- Standard aerator
- Temperature control handle, Flow control handle, Eco feature for water flow
- Pull operated diverter, Automatic reset
- The housing of the fittings conducts minimal heat, Safety stop against scalding at 38°C
- Thermostatic cartridge for automatic temperature control, Ceramic head part for flow control, Non-return valve(s), Litter filter(s)
- Inner body made of DZR brass
- Without couplings
- protected against back-flow in domestic use (according to DIN EN 1717)



## Technical data

### Flow properties

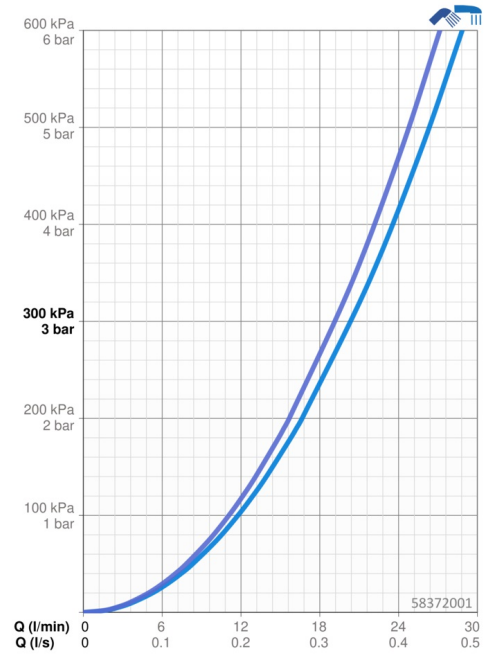
Flow-rate at 3 bar **20.4 / 19.2 l/min**

### Technical properties

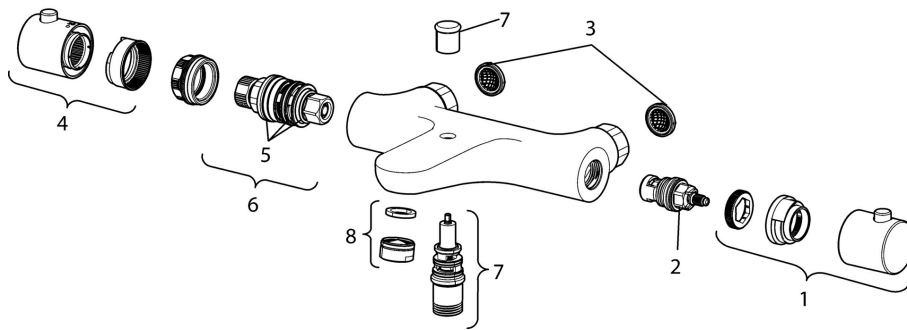
DN-size (nominal dimension) **DN15**  
 Hot water supply **max. +80°C**  
 Working pressure **1-10 bar**  
 Connection size **G3/4**  
 Projection **157 mm**  
 Backflow prevention (EN1717) **EB**

### Regulations

EN standard **EN 1111**



## Spare parts



### SP58372001

	Name	Code
1	Flow control handle	59914208
2	Headpart, G1/2	59914207
3	Filter sealing, G3/4	59911076
4	Temperature control handle	602062V
5	O-ring kit	59914113
6	Thermostatic cartridge, 3,4	59914114
7	Diverter	59912706
7	Diverter knob	59912801
8	Aerator, M24x1 D	59911829
N.I.	Connection nut, G3/4, AF30	59902230
N.I.	Retaining ring, 23.9x15.2x2	59902689
N.I.	Non-return valve	59905714
N.I.	Nipple	59911075