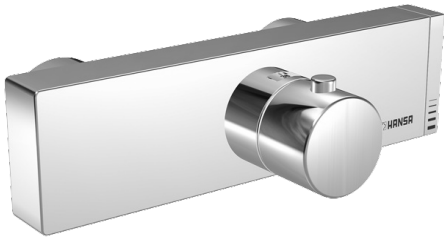
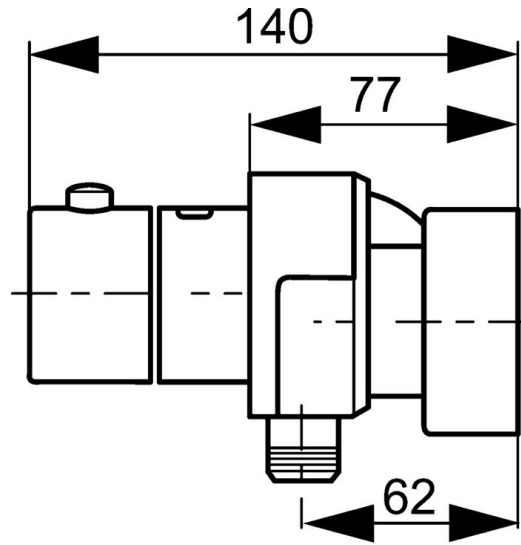
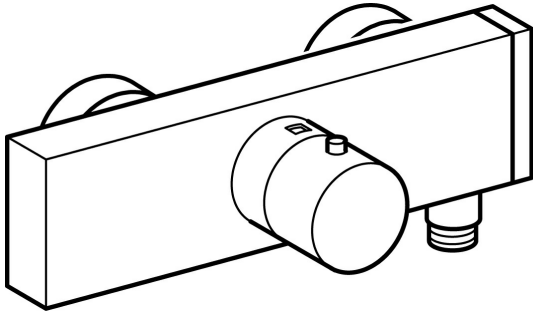


EAN: 4015474145160
static.hansa.com/58330101



- Shower solutions
- Thermostatic
- Wall mounted
- Chrome
- Temperature control handle, Flow control handle
- Thermostatic cartridge for automatic temperature control, Litter filter(s), Non-return valve(s)
- Silencer(s)
- protected against back-flow in domestic use (according to DIN EN 1717)



Technical data

Flow properties

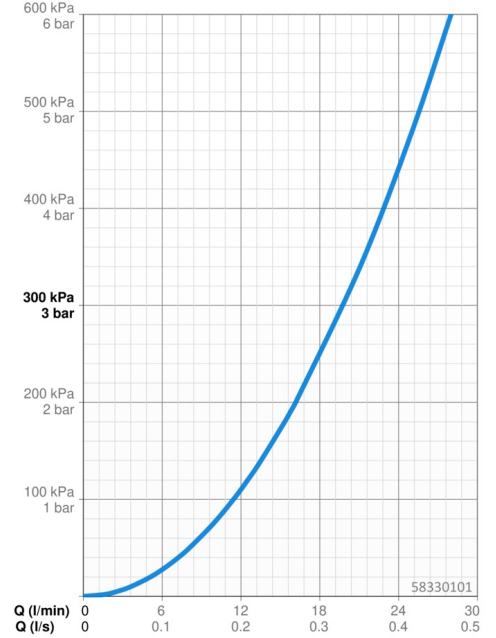
Flow-rate at 3 bar	19.8 l/min
Pressure loss with flow (0.2 l/s)	1.2 bar

Technical properties

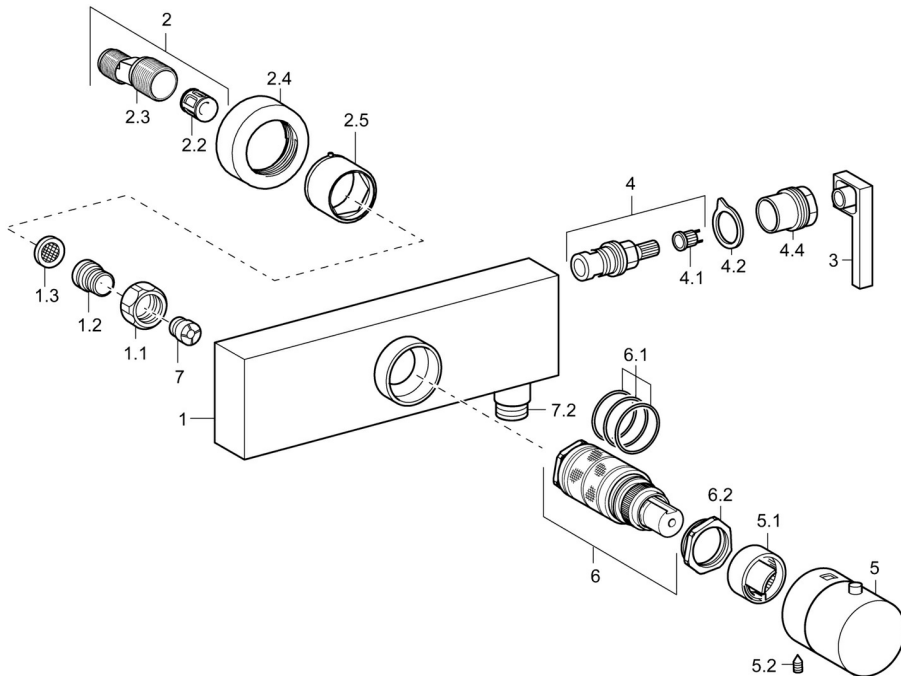
Hot water supply	max. +80°C
Working pressure	1-10 bar
Backflow prevention (EN1717)	EB

Regulations

EN standard	EN 1111
-------------	----------------



Spare parts



SP58330101

	Name	Code
1.1	Connection nut, G3/4, AF30	59902230
1.2	Nipple	59911075
1.3	Filter sealing, G3/4	59911076
2	Eccentric connector, G3/4xG1/2, DN15	59910254
2.2	Silencer	59904792
2.4	Cover flange	59913105
2.5	Cover sleeve	59913106
3	Flow control handle	59913221
4	Headpart, G1/2, SW17	59913224
4.1	Adapter White	59910235
4.2	Protective sleeve	59913223
4.4	Screw, M26x1, SW 22	59913222
5	Temperature control handle	59913225
5.1	Temperature adjustment limiter	59911660
5.2	Screw, M5x8, SW2.5	59904755
6	Thermostatic cartridge	59911525
6.1	O-ring, d 26x2	59911081
6.2	Tightening nut, M34x1, SW32	59911082
7	Non-return valve	59905714
7.2	Thread nipple, G1/2xM18x1	59911384
N.I.	Thermostatic cartridge, H/C reversed	59911527
N.I.	Rebound pin	59912005