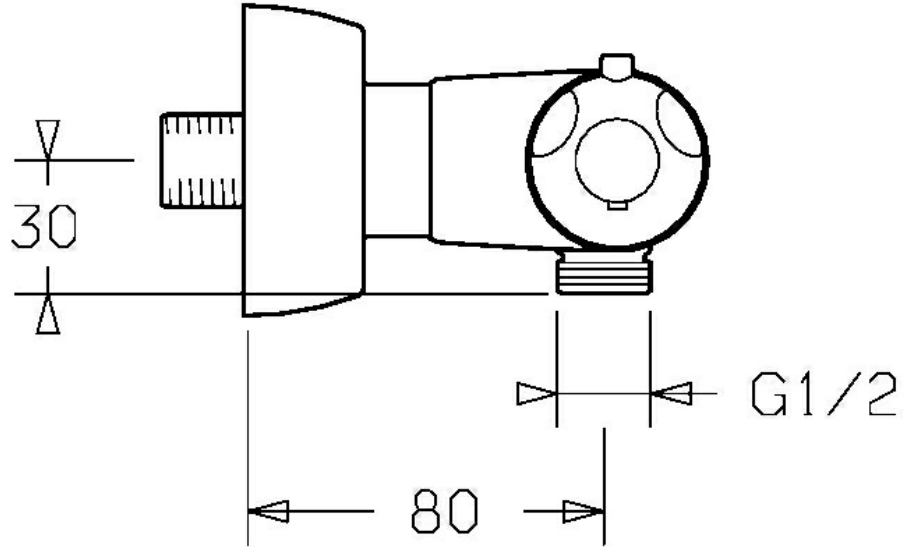


EAN: 4015474169869  
[static.hansa.com/58190101](http://static.hansa.com/58190101)



- Shower solutions
- Thermostatic
- Wall mounted
- Chrome
- Temperature control handle, Flow control handle
- Thermostatic cartridge for automatic temperature control, Litter filter(s), Non-return valve(s)
- Silencer(s)
- protected against back-flow in domestic use (according to DIN EN 1717)



## Technical data

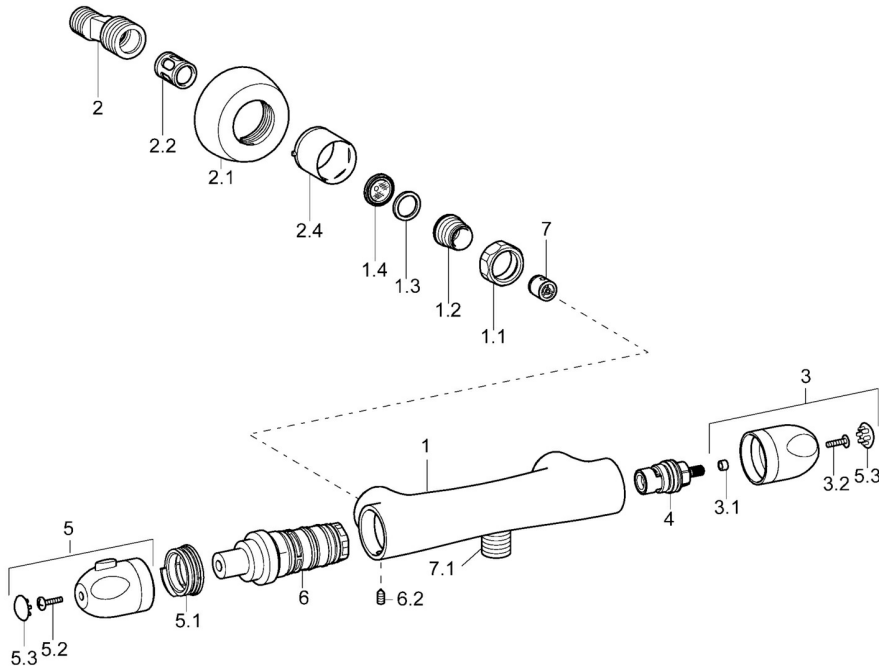
### Technical properties

Hot water supply	<b>max. +80°C</b>
Working pressure	<b>1-10 bar</b>
Backflow prevention (EN1717)	<b>EB</b>

### Regulations

EN standard	<b>EN 1111</b>
-------------	----------------

## Spare parts



### SP58190101

	Name	Code
1.1	Connection nut, G3/4, AF30	59902230
1.2	Nipple	59911075
1.3	Retaining ring, 23.9x15.2x2	59902689
1.4	Filter sealing, G3/4	59911076
2	Eccentric connector, G3/4xG1/2, DN15	59910254
2.1	Cover flange	59912652
2.2	Silencer	59904792
2.4	Cover sleeve	59912651
3	Lever Discontinued	59913358
4	Headpart, G1/2, 90°, (2004-)	59912626
5.1	Retaining ring Discontinued	59913890
6	Thermostatic element Discontinued	59913355
6.2	Screw, M6x9.5	59901609
7	Non-return valve	59905714