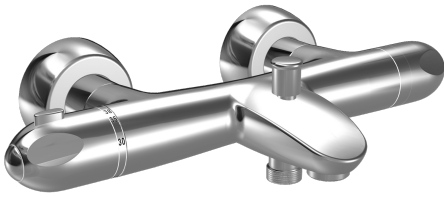
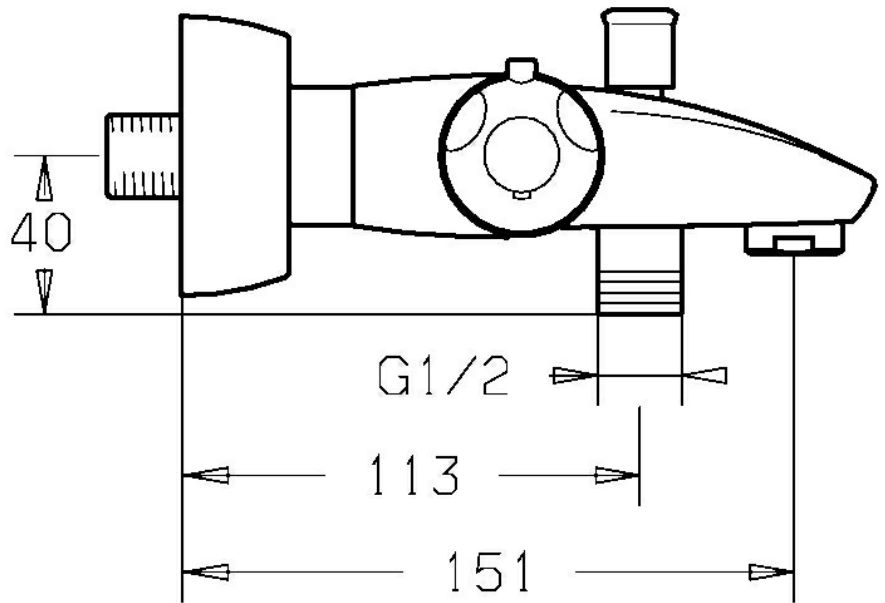


EAN: 4015474169838
static.hansa.com/58182101



- Bathtub & Shower
- Thermostatic
- Wall mounted
- Chrome
- Temperature control handle, Flow control handle
- Thermostatic cartridge for automatic temperature control, Litter filter(s), Non-return valve(s)
- Silencer(s)
- protected against back-flow in domestic use (according to DIN EN 1717)



Technical data

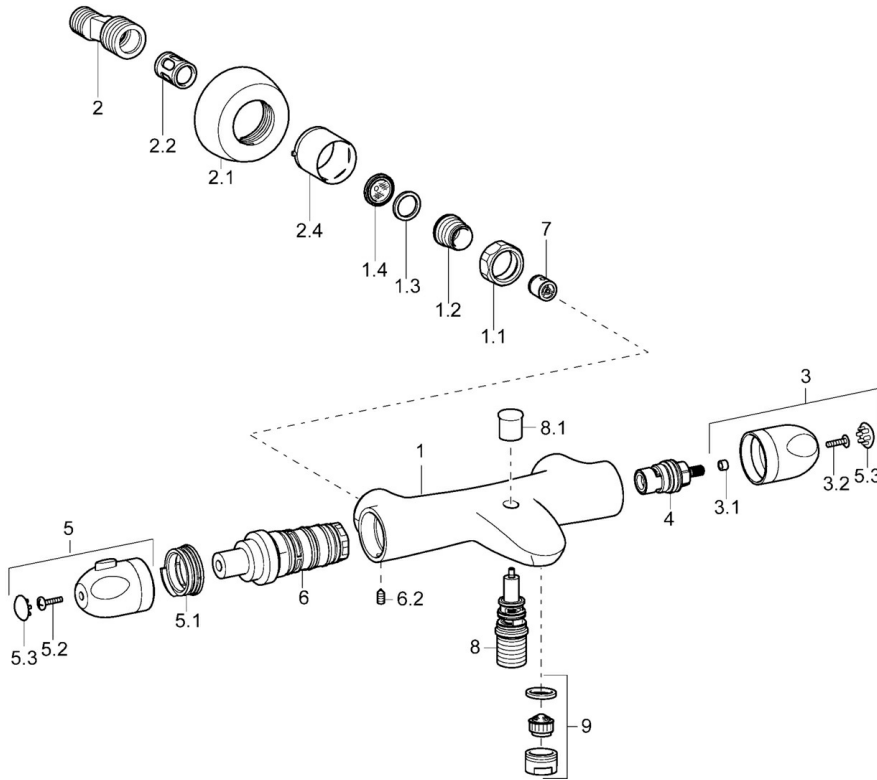
Technical properties

Hot water supply	max. +80°C
Working pressure	1-10 bar
Backflow prevention (EN1717)	EB

Regulations

EN standard	EN 1111
-------------	----------------

Spare parts



SP58182101

	Name	Code
1.1	Connection nut, G3/4, AF30	59902230
1.2	Nipple	59911075
1.3	Retaining ring, 23.9x15.2x2	59902689
1.4	Filter sealing, G3/4	59911076
2	Eccentric connector, G3/4xG1/2, DN15	59910254
2.1	Cover flange	59912652
2.2	Silencer	59904792
2.4	Cover sleeve	59912651
3	Lever Discontinued	59913358
4	Headpart, G1/2, 90°, (2004-)	59912626
5.1	Retaining ring Discontinued	59913890
6	Thermostatic element Discontinued	59913355
6.2	Screw, M6x9.5	59901609
7	Non-return valve	59905714
8	Diverter	59912706
8.1	Diverter knob	59912801
9	Aerator, M24x1 D	59911829