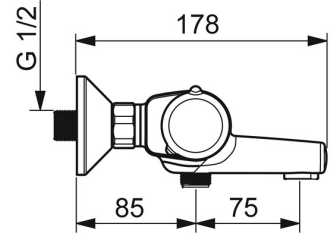
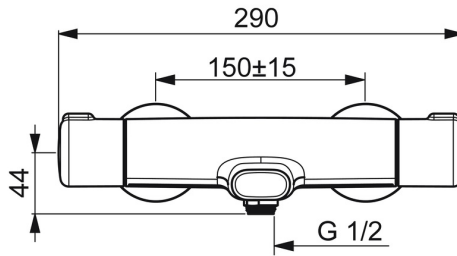
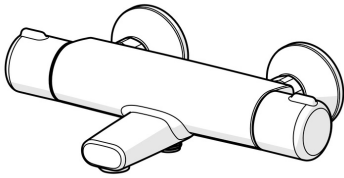


EAN: 4057304015731  
[static.hansa.com/5816217133](https://static.hansa.com/5816217133)



- Bathtub & Shower
- Thermostatic
- Wall mounted
- Matt black
- Fixed spout
- Standard aerator
- Temperature control handle, Flow control handle, Eco feature for water flow, Safety feature for water temperature
- Turn operated diverter, Integrated into flow control handle
- Eco flow control
- The housing of the fittings conducts minimal heat, Safety stop against scalding at 38°C
- Thermostatic cartridge for automatic temperature control, Litter filter(s), Ceramic head part for flow control
- Eccentric coupling(s)
- Inner body made of DZR brass
- protected against back-flow in domestic use (according to DIN EN 1717)



## Technical data

### Flow properties

Eco-flow at 3 bar	<b>9.6 l/min</b>
Flow-rate at 3 bar	<b>20.4 / 19.2 l/min</b>

### Technical properties

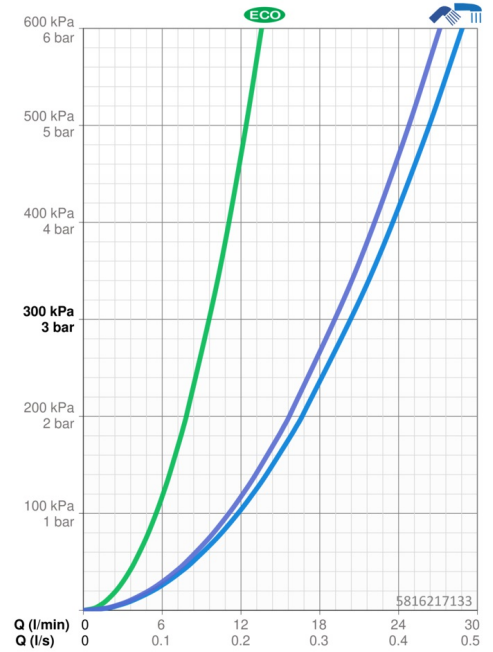
DN-size (nominal dimension)	<b>DN15</b>
Hot water supply	<b>max. +80°C</b>
Working pressure	<b>1-10 bar</b>
Connection size	<b>G1/2</b>
Installation width	<b>150 ± 15 mm</b>
Projection	<b>159 mm</b>
Backflow prevention (EN1717)	<b>EB</b>
Material	<b>Brass/Plastic</b>

### Regulations

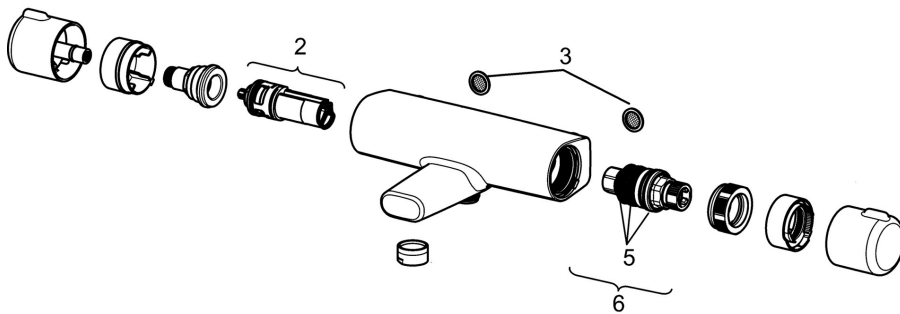
EN standard	<b>EN 1111</b>
Noise class	<b>II (ISO 3822)</b>

### Approvals and Declarations

ABP	<b>PA-IX 10129/II0B</b>
Declaration of conformity	<b>DoC</b>
EPD	<b>S-P-06397</b>



## Spare parts



### SP5816217133

Name	Code
2 Diverter and cartridge	59914116
3 Filter sealing, G3/4	59911076
5 O-ring kit	59914113
6 Thermostatic cartridge, 3,4	59914114