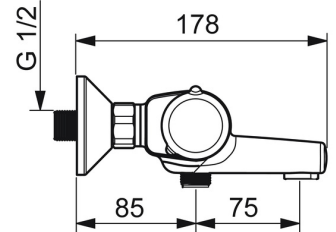
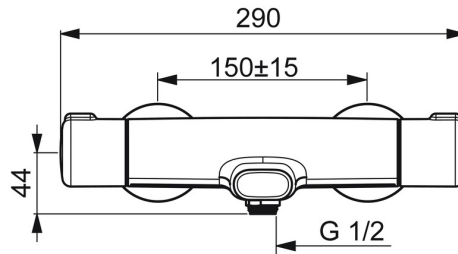
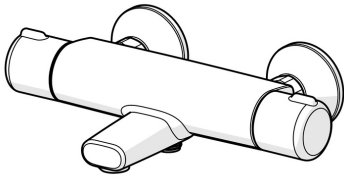


EAN: 4057304003486
static.hansa.com/58162171



- Bathtub & Shower
- Thermostatic
- Wall mounted
- Chrome
- Fixed spout
- Standard aerator
- Temperature control handle, Flow control handle, Eco feature for water flow, Safety feature for water temperature
- Turn operated diverter, Integrated into flow control handle
- Eco flow control
- The housing of the fittings conducts minimal heat, Safety stop against scalding at 38°C
- Thermostatic cartridge for automatic temperature control, Litter filter(s), Ceramic head part for flow control
- Eccentric coupling(s)
- Inner body made of DZR brass
- protected against back-flow in domestic use (according to DIN EN 1717)



Technical data

Flow properties

Eco-flow at 3 bar	9.6 l/min
Flow-rate at 3 bar	20.4 / 19.2 l/min

Technical properties

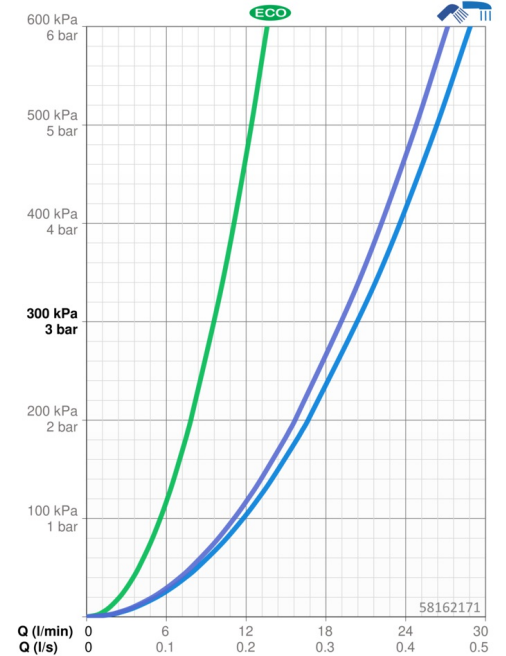
DN-size (nominal dimension)	DN15
Hot water supply	max. +80°C
Working pressure	1-10 bar
Connection size	G1/2
Installation width	150 ± 15 mm
Projection	159 mm
Backflow prevention (EN1717)	EB
Material	Brass/Plastic

Regulations

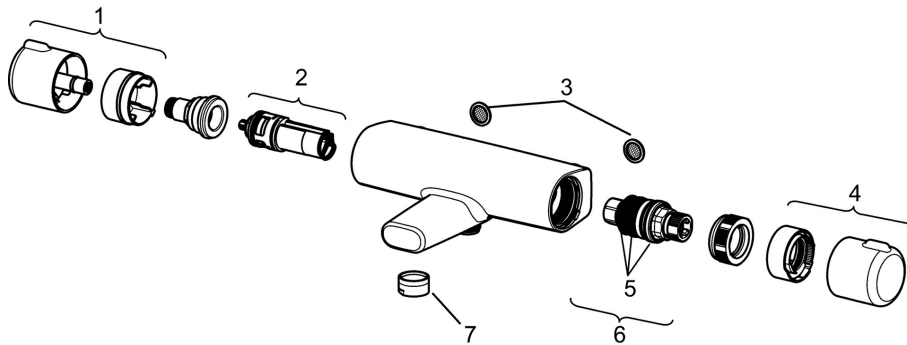
EN standard	EN 1111
Noise class	II (ISO 3822)

Approvals and Declarations

ABP	PA-IX 10129/II0B
Declaration of conformity	DoC
EPD	S-P-06397



Spare parts



SP58162171

Name	Code
1 Flow control handle	59914397
2 Diverter and cartridge	59914116
3 Filter sealing, G3/4	59911076
4 Temperature control handle	59914396
5 O-ring kit	59914113
6 Thermostatic cartridge, 3.4	59914114
7 Aerator, M24x1 D	59911829
N.I. Tightening nut, M36x1.5, SW38	59914319
N.I. Eccentric, G3/4xG1/2	59904793
N.I. Combiner	59914472