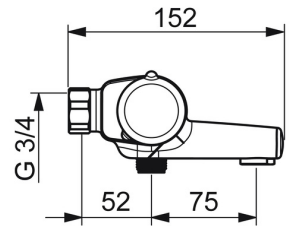
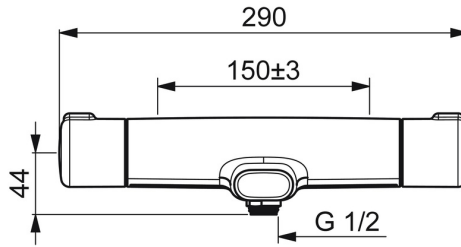
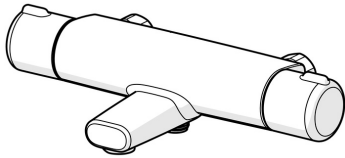


EAN: 4057304003479
static.hansa.com/58162071



- Bathtub & Shower
- Thermostatic
- Wall mounted
- Chrome
- Standard aerator
- Temperature control handle, Flow control handle, Eco feature for water flow, Safety feature for water temperature
- Turn operated diverter, Integrated into flow control handle
- Eco flow control
- Safety stop against scalding at 38°C
- Ceramic head part for flow control, Thermostatic cartridge for automatic temperature control, Litter filter(s)
- Without couplings
- protected against back-flow in domestic use (according to DIN EN 1717)



Technical data

Flow properties

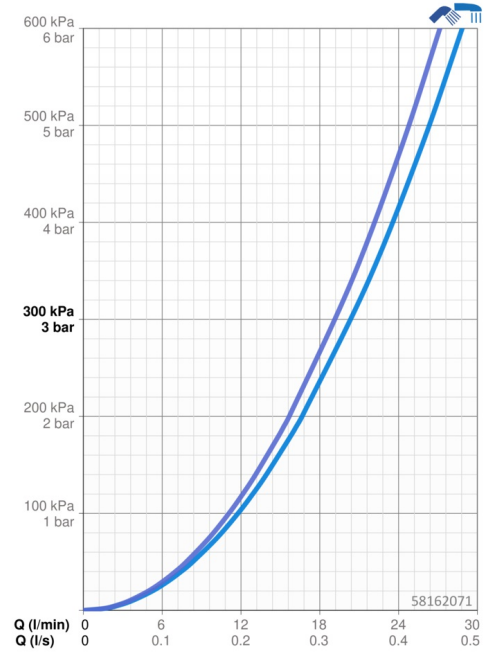
Flow-rate at 3 bar **20.4 / 19.2 l/min**

Technical properties

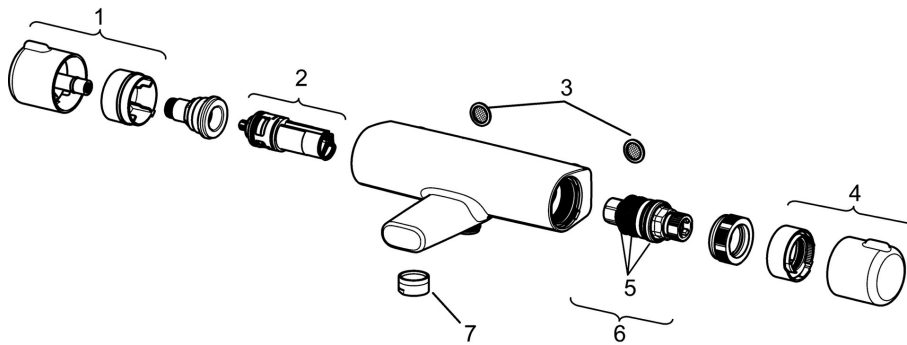
DN-size (nominal dimension) **DN15**
 Hot water supply **max. +80°C**
 Working pressure **1-10 bar**
 Installation width **cc150 mm**
 Projection **159 mm**
 Backflow prevention (EN1717) **EB**
 Material **Brass/Plastic**

Regulations

EN standard **EN 1111**



Spare parts



SP58162171

	Name	Code
1	Flow control handle	59914397
2	Diverter and cartridge	59914116
3	Filter sealing, G3/4	59911076
4	Temperature control handle	59914396
5	O-ring kit	59914113
6	Thermostatic cartridge, 3,4	59914114
7	Aerator, M24x1 D	59911829
N.I.	Tightening nut, M36x1.5, SW38	59914319
N.I.	Eccentric, G3/4xG1/2	59904793
N.I.	Combiner	59914472