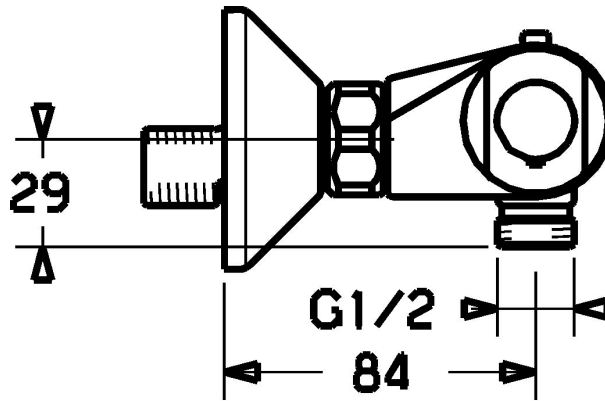
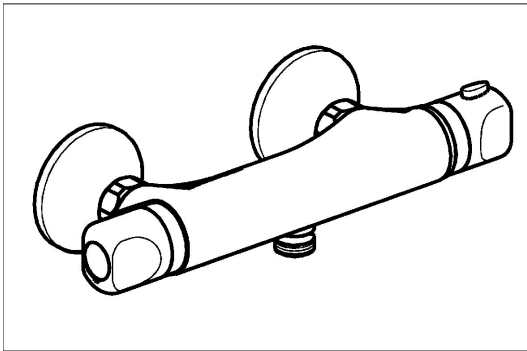


EAN: 4015474082953
static.hansa.com/58150101



- Shower solutions
- Thermostatic
- Wall mounted
- Chrome
- Temperature control handle, Flow control handle
- Thermostatic cartridge for automatic temperature control, Litter filter(s), Non-return valve(s)
- Silencer(s)
- protected against back-flow in domestic use (according to DIN EN 1717)



Technical data

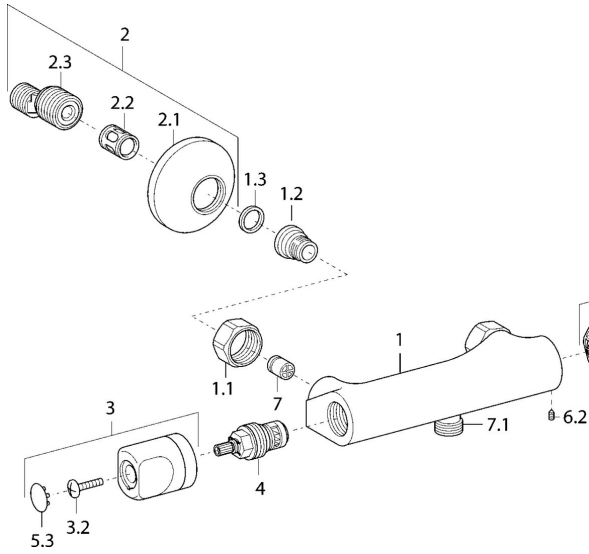
Technical properties

Hot water supply	max. +80°C
Working pressure	1-10 bar
Backflow prevention (EN1717)	EB

Regulations

EN standard	EN 1111
-------------	----------------

Spare parts



SP58150101

	Name	Code
1.1	Connection nut, G3/4, AF30	59902230
1.2	Seat, G1/2, L, WAF10	59904618
1.3	Filter sealing, G3/4	59911076
2	Eccentric, G3/4xG1/2	59904793
2.1	Cover flange	59904796
2.2	Silencer	59904792
2.3	Eccentric connector, G3/4xG1/2, DN15	59910254
3	Flow control handle	59912627
4	Headpart, G1/2, 90°, (2004-)	59912626
5	Temperature control handle	59912629
6	Thermostatic cartridge	59912628
7	Non-return valve	59905714
7.1	Thread nipple, G1/2xM18x1	59911384
N.I.	Retaining ring Discontinued	59913890