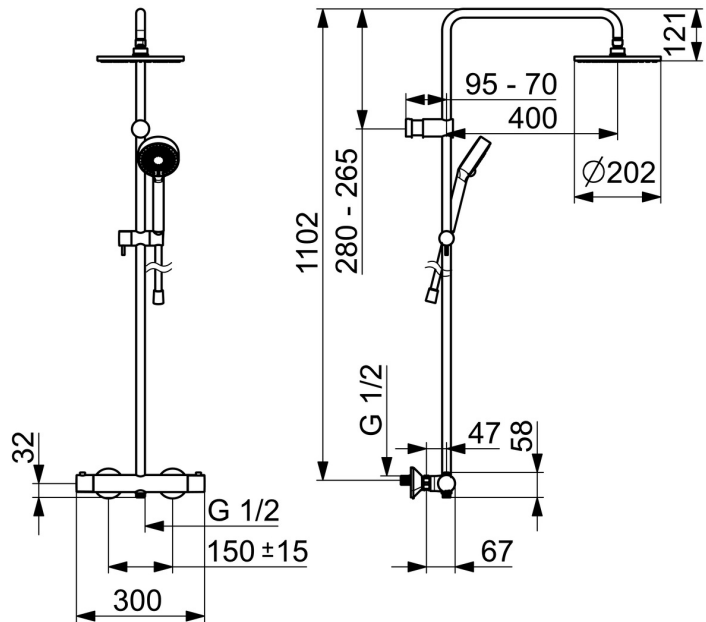
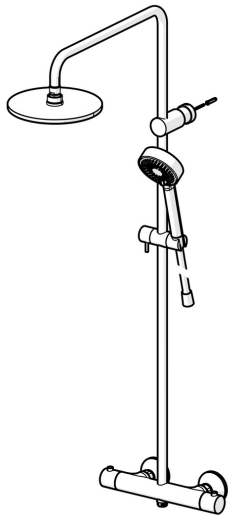


EAN: 4057304016073
static.hansa.com/58149203



- Shower solutions
- Thermostatic
- Wall mounted
- Chrome
- Temperature control handle, Flow control handle, Eco feature for water flow, Safety feature for water temperature
- Integrated into flow control handle
- Hand shower, Shower rail, Overhead shower, Adjustable shower rail bracket, Shower hose (1250 mm), Eco flow control
- Normal - Even and soft water stream, Refreshing - Strong water stream, activates and refreshes body, Relaxing - Soft water stream, pleasant for entire body
- Safety stop against scalding at 38°C, The housing of the fittings conducts minimal heat
- Ceramic head part for flow control, Thermostatic cartridge for automatic temperature control, Non-return valve(s), Litter filter(s)
- Eccentric coupling(s), Cover plate(s), Silencer(s)
- Inner body made of DZR brass, Flexible length / can be shortened
- 3 spray functions



Technical data

Flow properties

Flow-rate at 3 bar	12.0 / 13.8 l/min
Pressure loss with flow (0.2 l/s)	2.65 bar

Technical properties

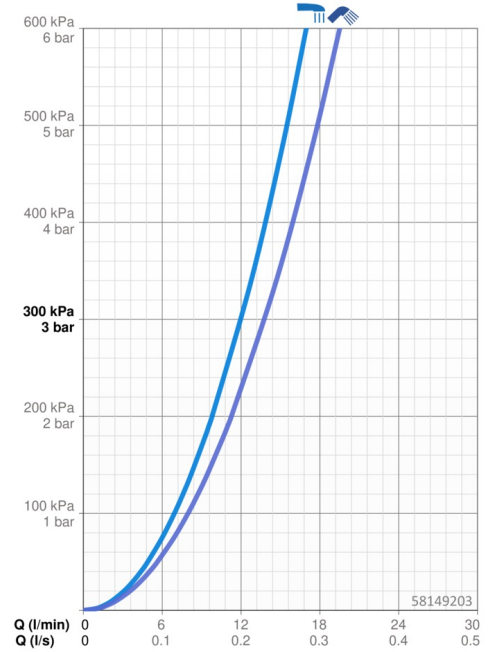
Hot water supply	max. +80°C
Working pressure	0.5-10 bar
Connection size	G1/2
Installation width	150 ± 15 mm
Length / Height	1250 mm
Projection	470 - 495 mm
Backflow prevention (EN1717)	EB
Material	Brass

Regulations

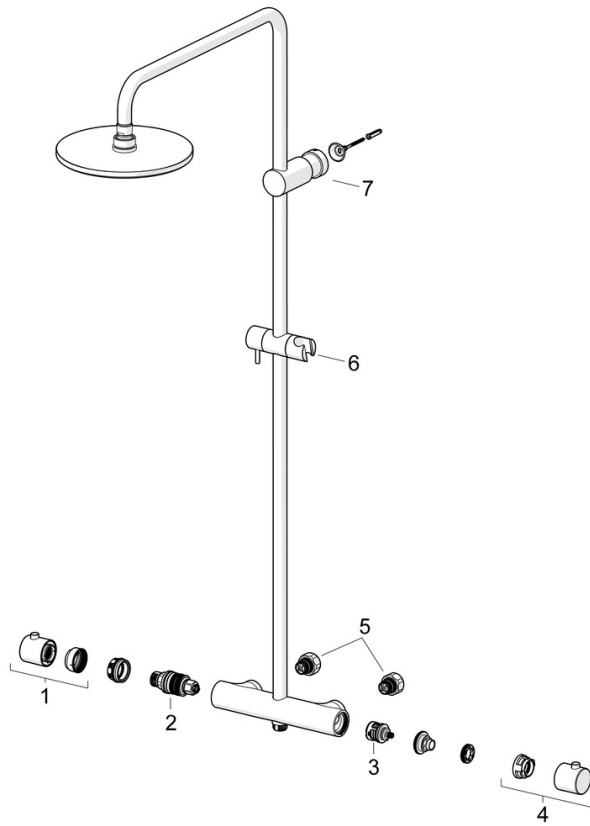
EN standard	EN 1111, EN 1112, EN 1113
Noise class	I (ISO 3822)

Approvals and Declarations

Declaration of conformity	DoC
EPD	S-P-07819



Spare parts



SP58149203

	Name	Code
01	Temperature control handle	602062V
02	Thermostatic cartridge, 3.4	59914114
03	Diverter	59914183
04	Flow control handle	1009482V
05	Combiner	59914472
06	Slide for shower rail	59913755
07	Wall support	59913859