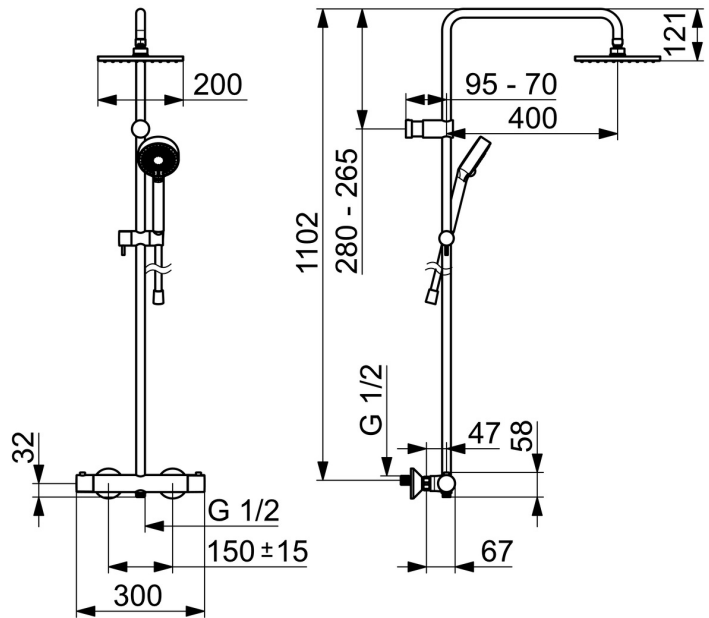
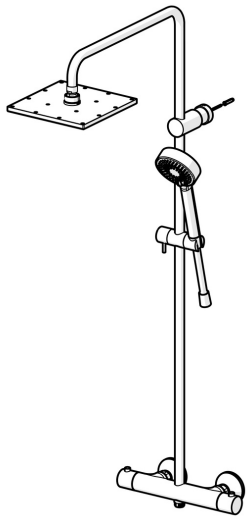


EAN: 4057304016080  
[static.hansa.com/58149113](http://static.hansa.com/58149113)



- Shower solutions
- Thermostatic
- Wall mounted
- Chrome
- Temperature control handle, Flow control handle, Eco feature for water flow, Safety feature for water temperature
- Integrated into flow control handle
- Hand shower, Shower rail, Overhead shower, Adjustable shower rail bracket, Shower hose (1250 mm), Eco flow control
- Normal - Even and soft water stream, Refreshing - Strong water stream, activates and refreshes body, Relaxing - Soft water stream, pleasant for entire body
- Safety stop against scalding at 38°C, The housing of the fittings conducts minimal heat
- Ceramic head part for flow control, Thermostatic cartridge for automatic temperature control, Non-return valve(s), Litter filter(s)
- Eccentric coupling(s), Cover plate(s), Silencer(s)
- Inner body made of DZR brass, Flexible length / can be shortened
- 3 spray functions



## Technical data

### Flow properties

Flow-rate at 3 bar	<b>12.0 / 13.8 l/min</b>
Pressure loss with flow (0.2 l/s)	<b>2.65 bar</b>

### Technical properties

Hot water supply	<b>max. +80°C</b>
Working pressure	<b>0.5-10 bar</b>
Connection size	<b>G1/2</b>
Installation width	<b>150 ± 15 mm</b>
Length / Height	<b>1250 mm</b>
Projection	<b>470 - 495 mm</b>
Backflow prevention (EN1717)	<b>EB</b>
Material	<b>Brass</b>

### Regulations

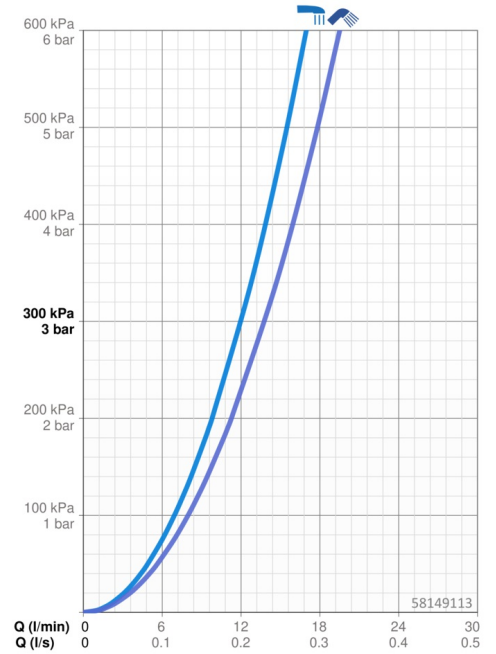
EN standard	<b>EN 1111, EN 1112, EN 1113</b>
Noise class	<b>I (ISO 3822)</b>

### Approvals and Declarations

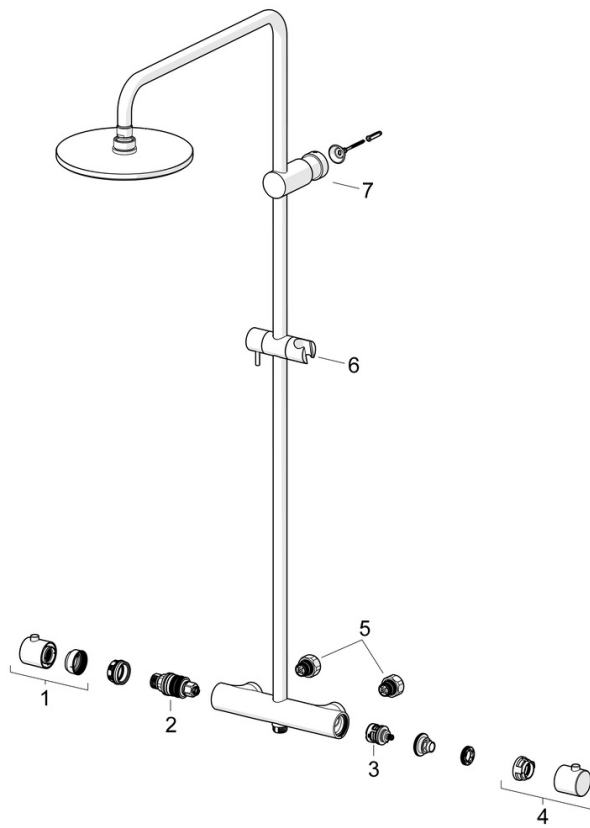
Declaration of conformity	<b>DoC</b>
EPD	<b>S-P-07819</b>

### Sustainability

EPD module A1 (kg CO2 eq.)	<b>23,89</b>
EPD module A2 (kg CO2 eq.)	<b>1,23</b>
EPD module A3 (kg CO2 eq.)	<b>2,52</b>
EPD module A1-A3 (kg CO2 eq.)	<b>27,67</b>
EPD module A4 (kg CO2 eq.)	<b>0,73</b>
EPD module B7 (kg CO2 eq.)	<b>2316,00</b>
EPD module C2 (kg CO2 eq.)	<b>0,05</b>
EPD module C3 (kg CO2 eq.)	<b>0,05</b>
EPD module C4 (kg CO2 eq.)	<b>1,52</b>
EPD module D (kg CO2 eq.)	<b>-18,08</b>



## Spare parts



### SP58149203

	Name	Code
01	Temperature control handle	602062V
02	Thermostatic cartridge, 3.4	59914114
03	Diverter	59914183
04	Flow control handle	1009482V
05	Combiner	59914472
06	Slide for shower rail	59913755
07	Wall support	59913859