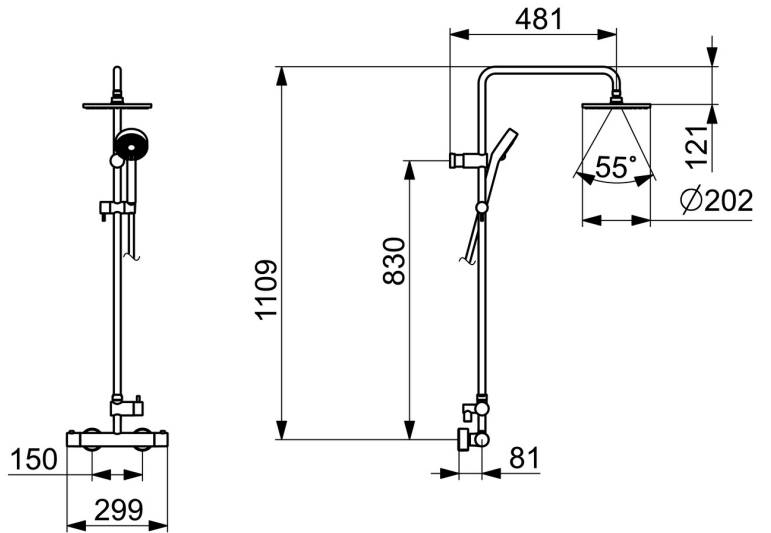
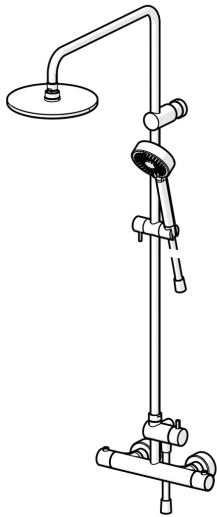


EAN: 4015474253353  
[static.hansa.com/58149103](http://static.hansa.com/58149103)



- Shower solutions
- Thermostatic
- Wall mounted
- Chrome
- Temperature control handle, Flow control handle
- Hand shower, Shower rail, Overhead shower, Adjustable shower rail bracket, Shower hose (1250 mm)
- Normal - Even and soft water stream, Intense - invigorating water stream, Rain - Even and strong water stream
- Safety stop against scalding at 38°C, The housing of the fittings conducts minimal heat
- Thermostatic cartridge for automatic temperature control, Ceramic head part for flow control, Non-return valve(s), Litter filter(s)
- Eccentric coupling(s), Cover plate(s), Silencer(s)
- Inner body made of DZR brass
- protected against back-flow in domestic use (according to DIN EN 1717)
- 3 spray functions



## Technical data

### Flow properties

Flow-rate at 3 bar	<b>12.0 / 12.0 l/min</b>
Pressure loss with flow (0.2 l/s)	<b>3 bar</b>

### Technical properties

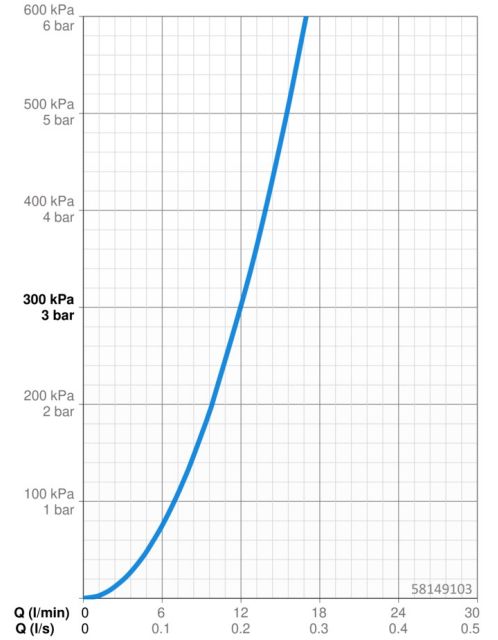
DN-size (nominal dimension)	<b>DN15</b>
Hot water supply	<b>max. +65°C</b>
Working pressure	<b>1-10 bar</b>
Installation width	<b>150 ± 15 mm</b>
Projection	<b>481 mm</b>
Backflow prevention (EN1717)	<b>EB</b>

### Regulations

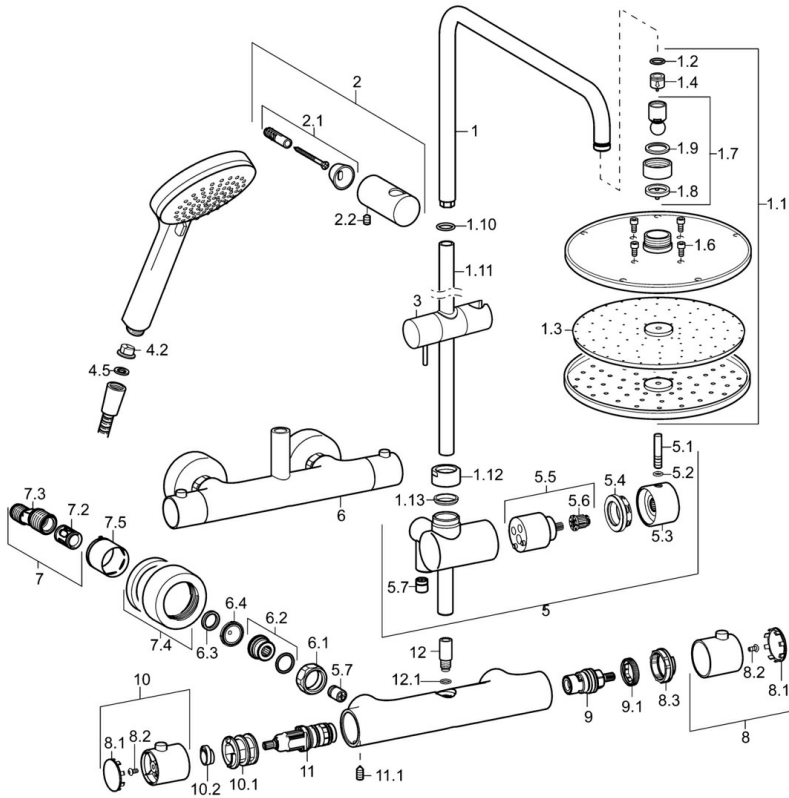
EN standard	<b>EN 1111, EN 1112, EN 1113</b>
Noise class	<b>I (ISO 3822)</b>

### Approvals and Declarations

Declaration of conformity	<b>DoC</b>
---------------------------	------------



## Spare parts



### SP58149103

	Name	Code
1	Shower pipe	59913810
1.1	Overhead shower, d 200 mm	59913747
1.3	Nozzle plate, d 200 mm, (-2019)	59913751
1.5	Flow limiter	59913753
1.6	Screw	59913754
1.10	O-ring kit	59913808
1.11	Shower pipe	59913858
1.12	Nut	59913821
1.13	O-ring kit	59913808
2	Wall support	59913859
2.1	Fixing set	59913812
2.2	Screw, M5x8, SW2.5	59904755
3	Slide for shower rail	59913755
4.2	Strainer	59906859
4.5	Gasket ring, d 21x12x2	59912304
5	Diverter body complete	59913857
5.1	Pin, M6, 21 mm	59913284
5.2	O-ring, d 3x1.5	59913100
5.3	Handle	59913817
5.4	Tightening nut, M37x1, AF30 Discontinued	59912111
5.5	Diverter	59913818
5.6	Adapter White	59910235
5.7	Non-return valve	59905714
6	Shower faucet, (-2018) Discontinued	59913856
6.1	Connection nut, G3/4, AF30	59902230
6.2	Nipple	59911075
6.3	Retaining ring, 23.9x15.2x2	59902689
6.4	Filter sealing, G3/4	59911076
7	Eccentric connector, G3/4xG1/2, DN15	59910254
7.2	Silencer	59904792
7.4	Cover flange	59913432
7.5	Cover sleeve	59912651
8	Flow control handle	59913854
8.1	Cover	59913850
8.2	Screw, M4x8	59913851
8.3	Temperature adjustment limiter	59913465
9	Headpart, G1/2, 180°	59911103
9.1	Ring	59913469
10	Temperature control handle	59913852
10.1	Temperature adjustment limiter	59913853
10.2	Temperature adjustment limiter	59913825
11	Thermostatic cartridge, 2.7	59913823
11.1	Screw, M6x9.5	59901609
12	Thread nipple, M10x1 Discontinued	59913855
12.1	O-ring, d 8.1x1.6 Discontinued	59910692

**SP58149103(2018)**

---

	<b>Name</b>	<b>Code</b>
01	Flow control handle	59914208
02	Headpart, G1/2	59914207
03	Filter sealing, G3/4	59911076
04	Temperature control handle	602062V
05	Thermostatic cartridge, 3.4	59914114
06	Overhead shower, d 200 mm	59913747
07	Shower pipe	59913810
08	Shower pipe	59913858
09	Wall support	59913859
10	Slide for shower rail	59913755
11	Fixing set	59913812
12	Diverter body complete	59913857