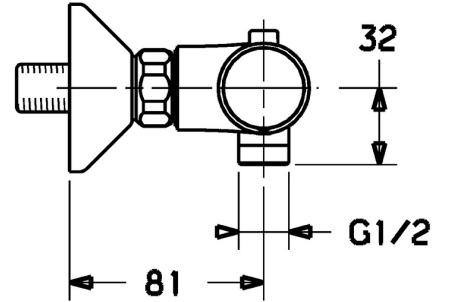
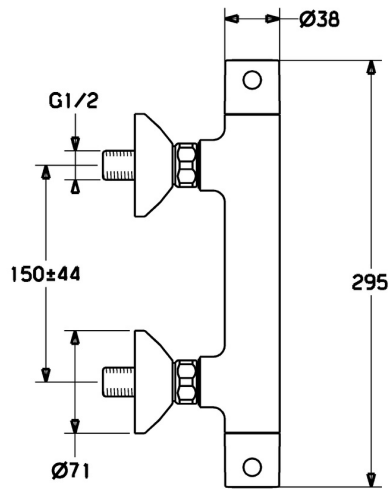
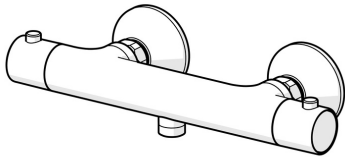


EAN: 4015474256255
static.hansa.com/58130301



- Shower solutions
- Thermostatic
- Wall mounted
- Chrome
- Temperature control handle, Flow control handle, Eco feature for water flow
- Adjustable hot water stop (included, retrofittable), Safety stop against scalding at 38°C
- Thermostatic cartridge for automatic temperature control, Litter filter(s), Ceramic head part for flow control, Non-return valve(s)
- Eccentric coupling(s)
- Inner body made of DZR brass
- protected against back-flow in domestic use (according to DIN EN 1717)



Technical data

Flow properties

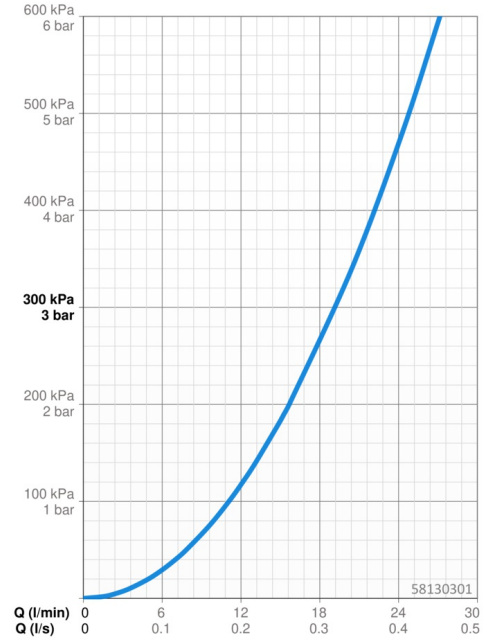
Flow-rate at 3 bar **19.2 l/min**

Technical properties

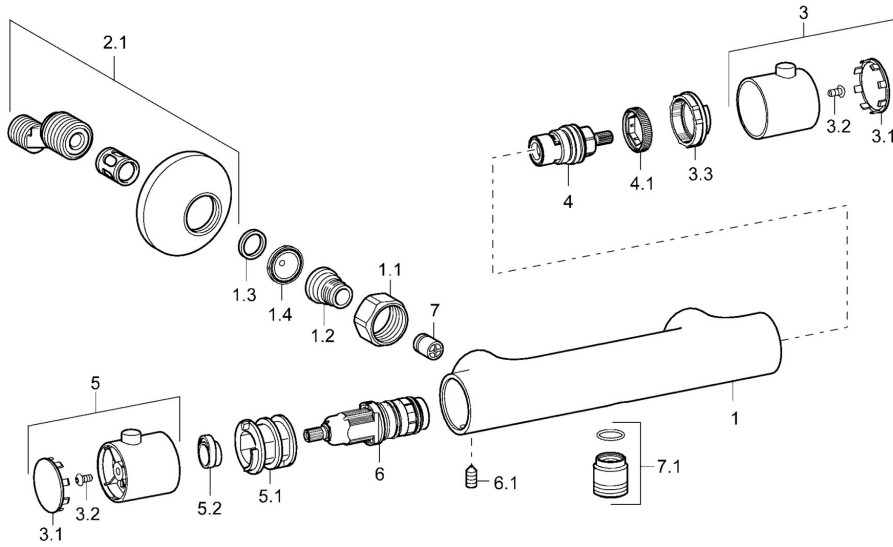
DN-size (nominal dimension) **DN15**
 Hot water supply **max. +80°C**
 Working pressure **1-10 bar**
 Backflow prevention (EN1717) **EB**

Regulations

EN standard **EN 1111**



Spare parts



SP58130301

	Name	Code
1.1	Connection nut, G3/4, AF30	59902230
1.2	Nipple	59911075
1.3	Retaining ring, 23.9x15.2x2	59902689
1.4	Filter sealing, G3/4	59911076
2.1	Eccentric	59913870
3	Flow control handle	59913854
3.1	Cover	59913850
3.2	Screw, M4x8	59913851
3.3	Temperature adjustment limiter	59913465
4	Headpart, G1/2, 180°	59911103
4.1	Ring	59913469
5	Temperature control handle	59913852
5.1	Temperature adjustment limiter	59913853
5.2	Temperature adjustment limiter	59913825
6	Thermostatic cartridge, 2.7	59913823
6.1	Screw, M6x9.5	59901609
7	Non-return valve	59905714
7.1	Thread nipple, G1/2xM18x1	59911384
N.I.	Non-return valve, DN10 (2016-)	59914425

SP58130101(2018)

	Name	Code
01	Flow control handle	59914208
02	Headpart, G1/2	59914207
03	Filter sealing, G3/4	59911076
04	Temperature control handle	602062V
05	Thermostatic cartridge, 3.4	59914114

