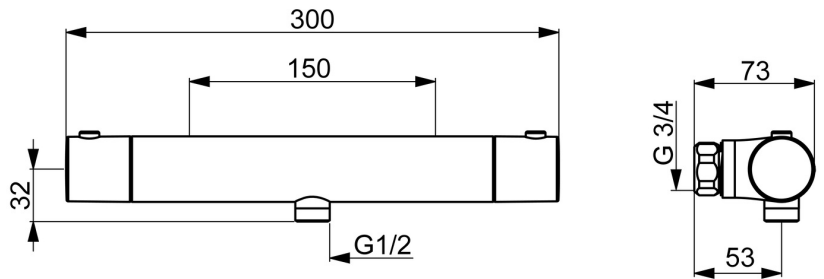
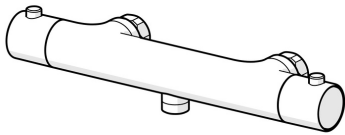


EAN: 4015474255630  
[static.hansa.com/58130001](https://static.hansa.com/58130001)



- Shower solutions
- Thermostatic
- Wall mounted
- Chrome
- Temperature control handle, Flow control handle, Eco feature for water flow
- Safety stop against scalding at 38°C
- Thermostatic cartridge for automatic temperature control, Litter filter(s), Ceramic head part for flow control, Non-return valve(s)
- Inner body made of DZR brass
- Without couplings
- protected against back-flow in domestic use (according to DIN EN 1717)



## Technical data

### Flow properties

Flow-rate at 3 bar	<b>19.2 l/min</b>
Pressure loss with flow (0.2 l/s)	<b>1.3 bar</b>

### Technical properties

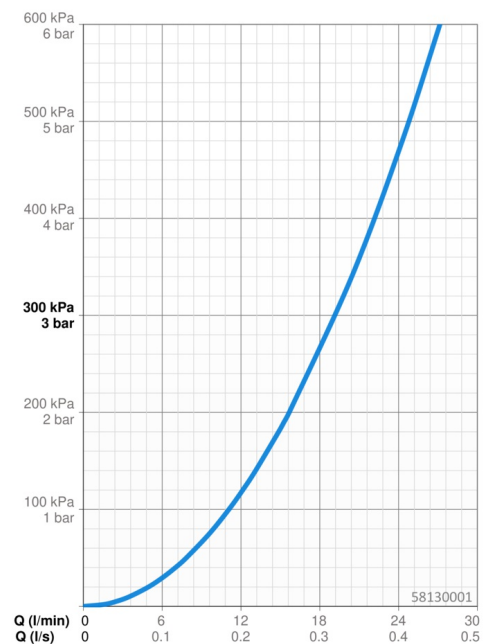
DN-size (nominal dimension)	<b>DN15</b>
Hot water supply	<b>max. +80°C</b>
Working pressure	<b>1-10 bar</b>
Backflow prevention (EN1717)	<b>EB</b>

### Regulations

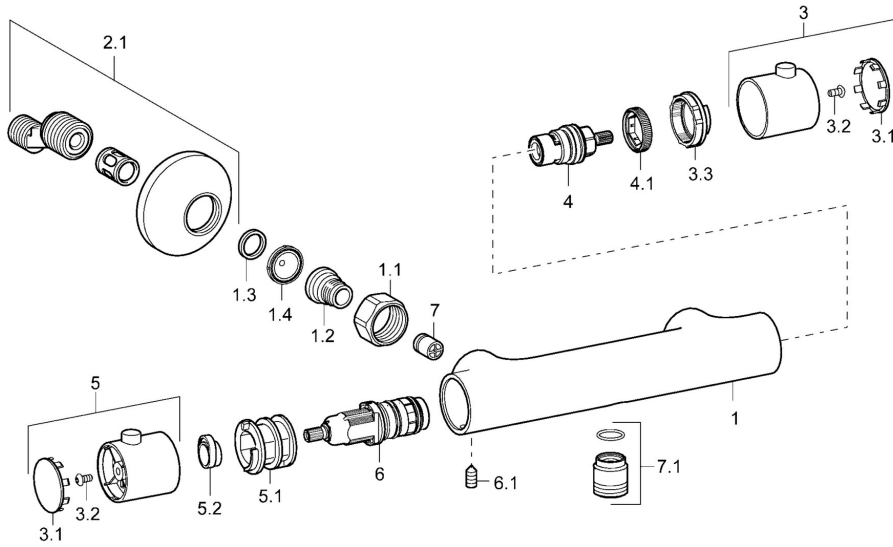
EN standard	<b>EN 1111</b>
Noise class	<b>I (ISO 3822)</b>

### Approvals and Declarations

Declaration of conformity	<b>DoC</b>
---------------------------	------------



## Spare parts



### SP58130301

	Name	Code
1.1	Connection nut, G3/4, AF30	59902230
1.2	Nipple	59911075
1.3	Retaining ring, 23.9x15.2x2	59902689
1.4	Filter sealing, G3/4	59911076
2.1	Eccentric	59913870
3	Flow control handle	59913854
3.1	Cover	59913850
3.2	Screw, M4x8	59913851
3.3	Temperature adjustment limiter	59913465
4	Headpart, G1/2, 180°	59911103
4.1	Ring	59913469
5	Temperature control handle	59913852
5.1	Temperature adjustment limiter	59913853
5.2	Temperature adjustment limiter	59913825
6	Thermostatic cartridge, 2.7	59913823
6.1	Screw, M6x9.5	59901609
7	Non-return valve	59905714
7.1	Thread nipple, G1/2xM18x1	59911384
N.I.	Non-return valve, DN10 (2016-)	59914425

### SP58130101(2018)

	Name	Code
01	Flow control handle	59914208
02	Headpart, G1/2	59914207
03	Filter sealing, G3/4	59911076
04	Temperature control handle	602062V
05	Thermostatic cartridge, 3.4	59914114

