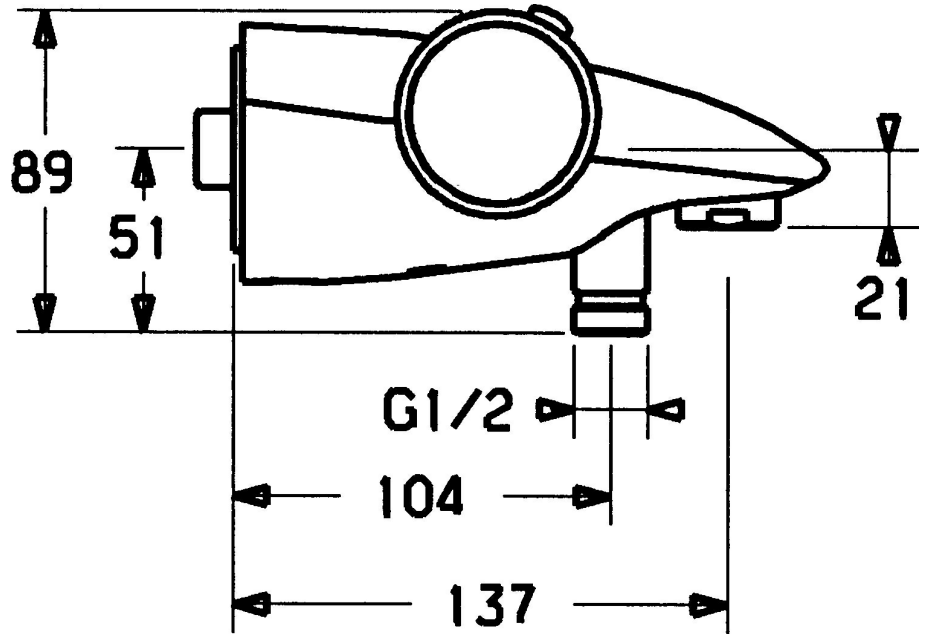
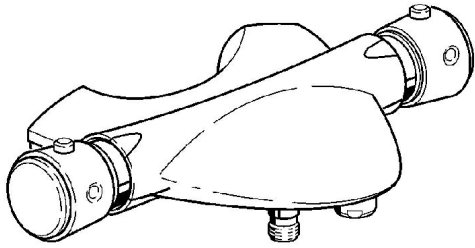


EAN: 4015474041097
static.hansa.com/58122101



- Bathtub & Shower
- Thermostatic
- Wall mounted
- Chrome
- Temperature control handle, Flow control handle
- Non-return valve(s)
- protected against back-flow in domestic use (according to DIN EN 1717)

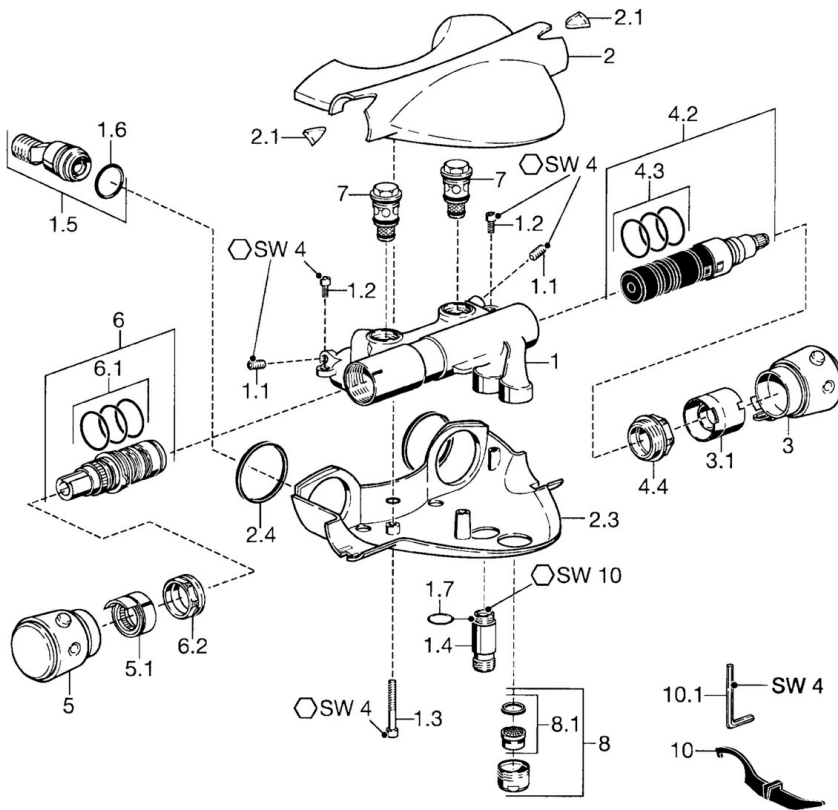


Technical data

Technical properties

Hot water supply	max. +80°C
Working pressure	0.5-10 bar
Backflow prevention (EN1717)	EB

Spare parts



SP58122101

	Name	Code
1.1	Screw, M8x8	59906104
1.2	Retaining screw, M5x10	59912210
1.3	Screw, M5x40, SW5 Discontinued	59912217
1.4	Thread nipple, M18x1, G1/2 Discontinued	59912214
1.5	Connector, G1/2	59911491
1.6	O-ring, 25.07x2.62	59911479
1.7	O-ring, d 15x1.2	59911395
2	Covering cap Discontinued	59912194
2.1	Window Transparent	59912212
2.3	Covering cap Discontinued	59912196
2.4	Gasket, 52x63x5 Discontinued	59911798
3	Flow control handle Discontinued	59912205
3.1	Flow limiter Discontinued	59912209
4.2	Diverter	59911834
4.3	O-ring kit, d 24x2	59911835
4.4	Eye screw, M32x1.5	59911898
5	Temperature control handle Discontinued	59912202
5.1	Retaining ring Discontinued	59912208
6	Thermostatic cartridge	59911525
6.1	O-ring, d 26x2	59911081
6.2	Tightening nut, M34x1, SW32	59911082
7	Non-return valve	59912211
8	Aerator, M28x1 D	59907198
10	Tool Discontinued	59912219
10.1	Key, SW4 Discontinued	59911170
N.I.	Thermostatic cartridge, H/C reversed	59911527