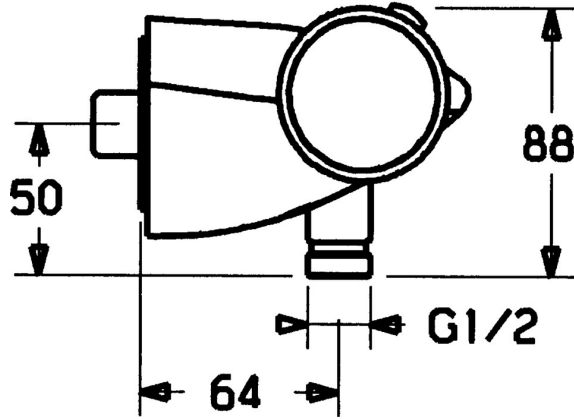
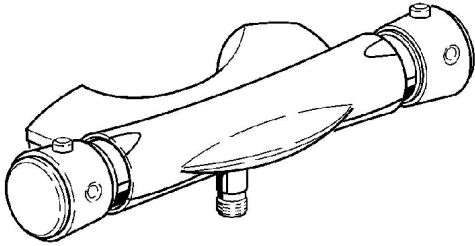


EAN: 4015474041066
static.hansa.com/58110101



- Shower solutions
- Thermostatic
- Wall mounted
- Chrome
- Temperature control handle, Flow control handle
- Non-return valve(s)
- protected against back-flow in domestic use (according to DIN EN 1717)

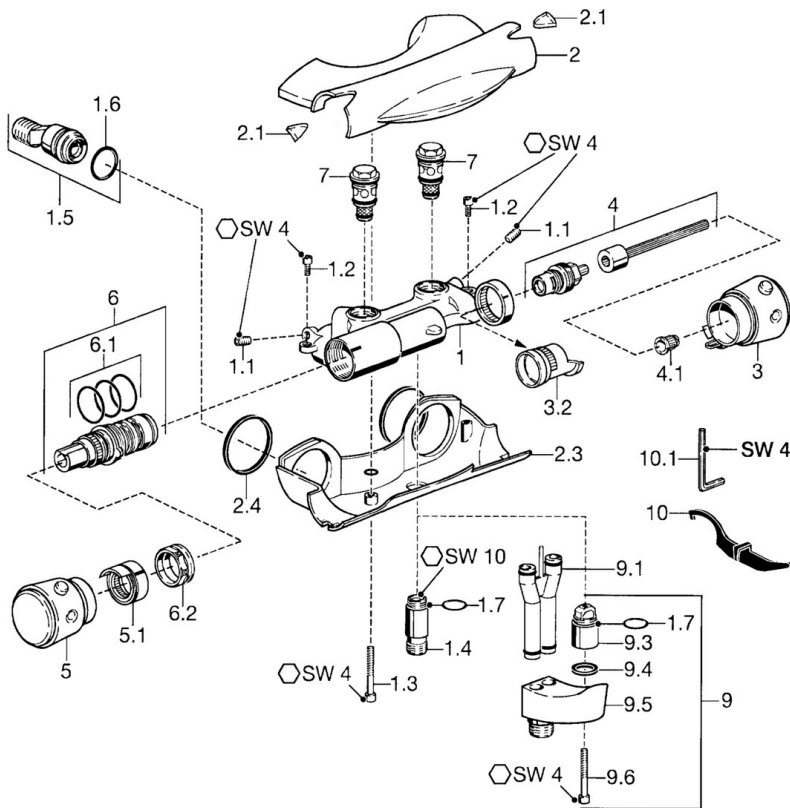


Technical data

Technical properties

Hot water supply	max. +80°C
Working pressure	0.5-10 bar
Backflow prevention (EN1717)	EB

Spare parts



SP58110101

	Name	Code
1.1	Screw, M8x8	59906104
1.2	Retaining screw, M5x10	59912210
1.3	Screw, M5x40, SW5 Discontinued	59912217
1.4	Thread nipple, M18x1, G1/2 Discontinued	59912214
1.5	Connector, G1/2	59911491
1.6	O-ring, 25.07x2.62	59911479
1.7	O-ring, d 15x1.2	59911395
2	Covering cap Discontinued	59912198
2.1	Window Transparent	59912212
2.3	Covering cap Discontinued	59912200
2.4	Gasket, 52x63x5 Discontinued	59911798
3	Flow control handle Discontinued	59912205
3.2	Retaining ring Discontinued	59912220
4	Headpart, G3/4	59912218
4.1	Adapter White	59910235
5	Temperature control handle Discontinued	59912202
5.1	Retaining ring Discontinued	59912208
6	Thermostatic cartridge	59911525
6	Thermostatic cartridge, H/C reversed	59911527
6.1	O-ring, d 26x2	59911081
6.2	Tightening nut, M34x1, SW32	59911082
7	Non-return valve	59912211
9	Connection nipple	59912166
9.1	Connection nipple	59912481
9.4	Gasket, 20.8x14.5x2.7	59902275
10	Tool Discontinued	59912219
10.1	Key, SW4 Discontinued	59911170