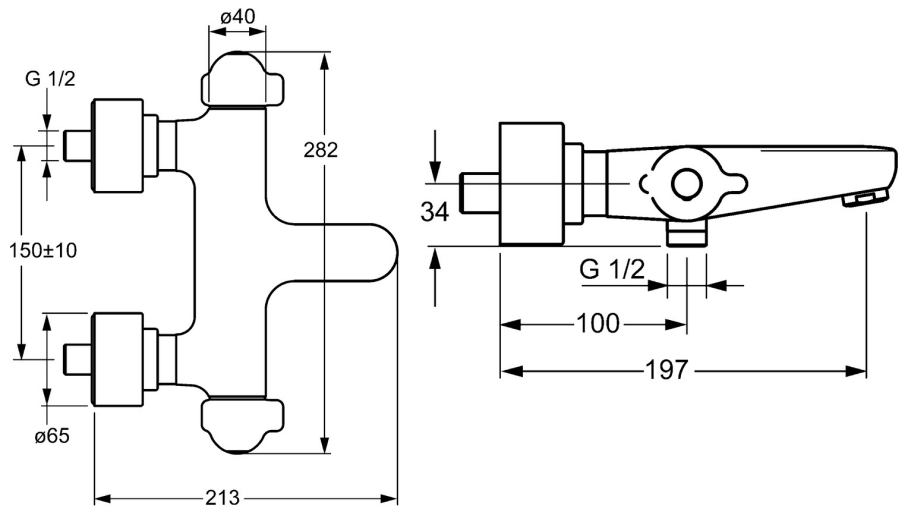
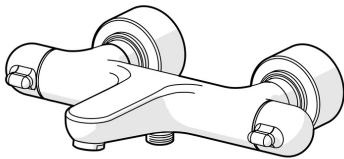


EAN: 4015474267466
static.hansa.com/58101201



- Bath tub & Shower
- Health & Care
- Thermostatic
- Wall mounted
- Chrome
- Fixed spout
- Standard aerator
- Temperature control handle, Flow control handle, Hot/Cold symbols
- Integrated into flow control handle
- Limitation option for maximum temperature and flow-rate, The housing of the fittings conducts minimal heat
- Ceramic head part for flow control, Thermostatic cartridge for automatic temperature control, Non-return valve(s), Litter filter(s)
- Eccentric coupling(s), Cover plate(s), with integrated shut-off valve(s), Cover plate triple sealed
- Inner body made of DZR brass, Waterways without nickel coating, Thermal disinfection without cartridge readjustment
- protected against back-flow in domestic use (according to DIN EN 1717) Safety lock against scalding 38°C (36°-44°)



Technical data

Flow properties

Flow-rate at 3 bar **17.4 / 14.4 l/min**

Technical properties

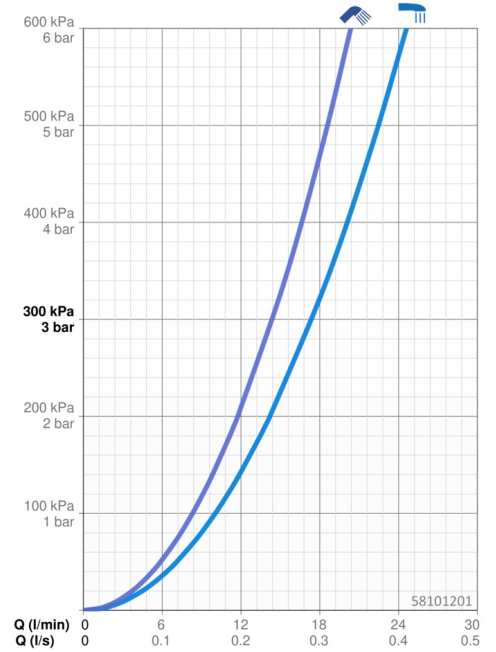
DN-size (nominal dimension) **DN15**
 Hot water supply **max. +80°C**
 Working pressure **1-10 bar**
 Installation width **150 ± 10 mm**
 Projection **197 mm**
 Backflow prevention (EN1717) **EB**

Regulations

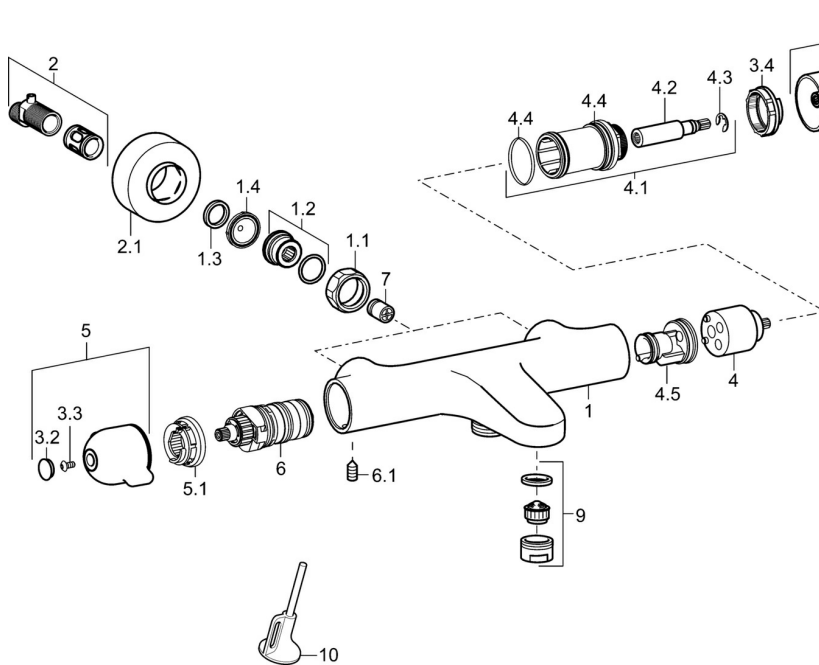
EN standard **EN 1111**
 Noise class **II (ISO 3822)**

Approvals and Declarations

ABP **PA-IX 10128/II DB**
 Declaration of conformity **DoC**



Spare parts



SP58101201

Name	Code
1.1 Connection nut, G3/4, AF30	59902230
1.2 Nipple	59911075
1.3 Retaining ring, 23.9x15.2x2	59902689
1.4 Filter sealing, G3/4	59911076
2 Eccentric	59914082
2.1 Cover flange	59914083
3 Diverter knob Discontinued	59914084
3.2 Cap	59914079
3.3 Screw, M4x8	59913851
3.4 Adjusting ring	59913940
4 Headpart	59913936
4.1 Fixing screw, SW30	59913941
4.2 Spindle	59913689
4.4 O-ring, d 32x2	59912803
4.5 Inner part	59913942
5 Temperature control handle	59914080
5.1 Temperature adjustment limiter	59914078
6 Thermostatic cartridge, 3.3	59913871
6.1 Screw, M6x9.5	59901609
7 Non-return valve, DN10 (2016-)	59914425
9 Aerator, M24x1 D	59911829
10 Key	59914077