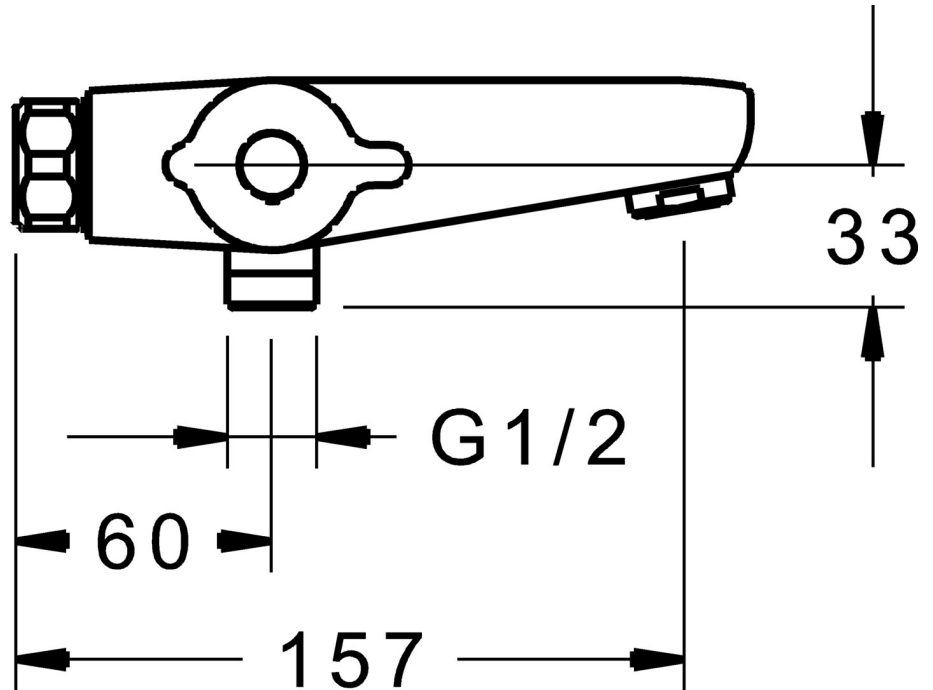
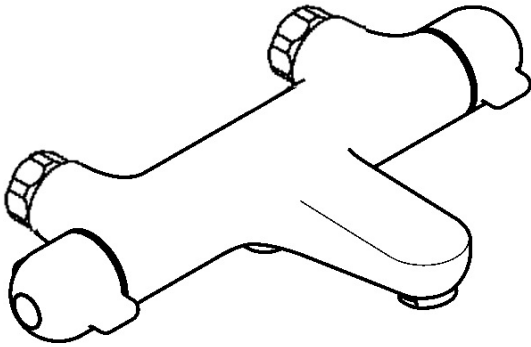


EAN: 4015474273016
static.hansa.com/58101001



- Bathtub & Shower
- Health & Care
- Thermostatic
- Wall mounted
- Chrome
- Standard aerator
- Temperature control handle, Flow control handle
- Integrated into flow control handle
- Limitation option for maximum temperature and flow-rate
- Thermostatic cartridge for automatic temperature control, Litter filter(s), Non-return valve(s)
- Inner body made of DZR brass, Thermal disinfection without cartridge readjustment
- Without couplings
- protected against back-flow in domestic use (according to DIN EN 1717)



Technical data

Flow properties

Flow-rate at 3 bar **22.2 / 19.2 l/min**

Technical properties

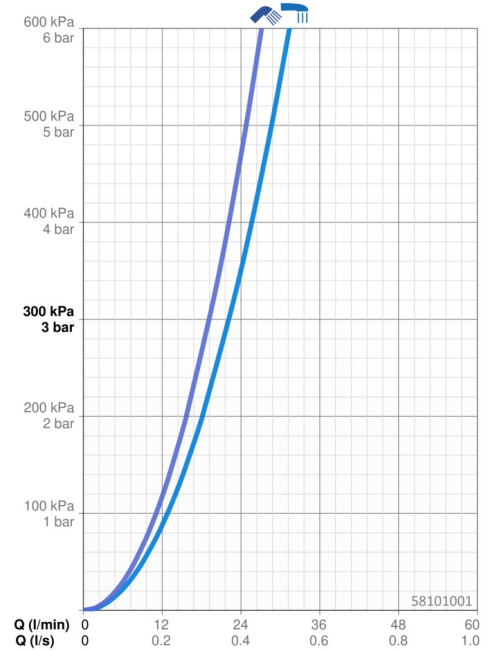
DN-size (nominal dimension) **DN15**
 Hot water supply **max. +80°C**
 Working pressure **1-10 bar**
 Projection **197 mm**
 Backflow prevention (EN1717) **EB**

Regulations

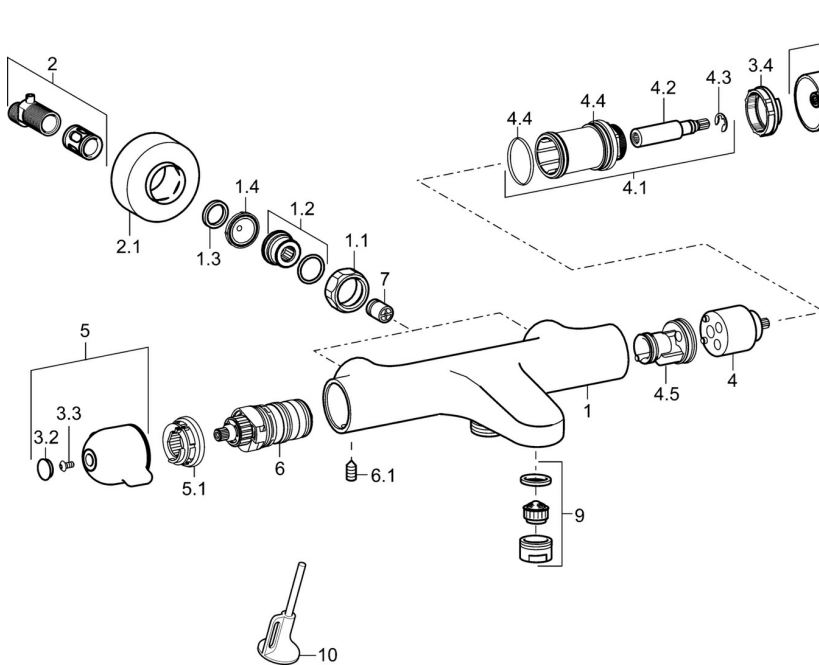
EN standard **EN 1111**
 Noise class **II (ISO 3822)**

Approvals and Declarations

ABP **PA-IX 10128/II DB**



Spare parts



SP58101201

	Name	Code
1.1	Connection nut, G3/4, AF30	59902230
1.2	Nipple	59911075
1.3	Retaining ring, 23.9x15.2x2	59902689
1.4	Filter sealing, G3/4	59911076
2	Eccentric	59914082
2.1	Cover flange	59914083
3	Diverter knob Discontinued	59914084
3.2	Cap	59914079
3.3	Screw, M4x8	59913851
3.4	Adjusting ring	59913940
4	Headpart	59913936
4.1	Fixing screw, SW30	59913941
4.2	Spindle	59913689
4.4	O-ring, d 32x2	59912803
4.5	Inner part	59913942
5	Temperature control handle	59914080
5.1	Temperature adjustment limiter	59914078
6	Thermostatic cartridge, 3.3	59913871
6.1	Screw, M6x9.5	59901609
7	Non-return valve, DN10 (2016-)	59914425
9	Aerator, M24x1 D	59911829
10	Key	59914077