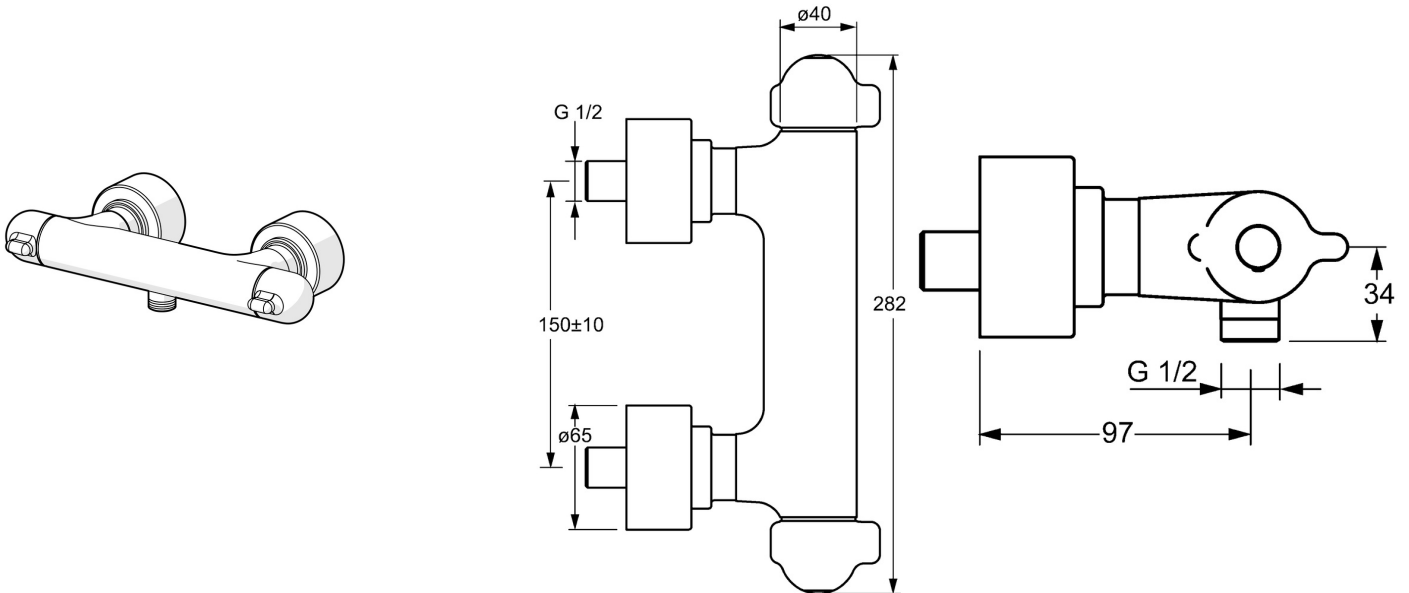


EAN: 4015474267459
static.hansa.com/58080201



- Health & Care
- Thermostatic
- Wall mounted
- Chrome
- Temperature control handle, Flow control handle, Hot/Cold symbols
- The housing of the fittings conducts minimal heat, Limitation option for maximum temperature and flow-rate
- Thermostatic cartridge for automatic temperature control, Ceramic head part for flow control, Non-return valve(s), Litter filter(s)
- Eccentric coupling(s), Cover plate(s), with integrated shut-off valve(s), Cover plate triple sealed
- Inner body made of DZR brass, Waterways without nickel coating, Thermal disinfection without cartridge readjustment
- protected against back-flow in domestic use (according to DIN EN 1717) Safety lock against scalding 38°C (36°-44°)



Technical data

Flow properties

Flow-rate at 3 bar **19.2 l/min**

Technical properties

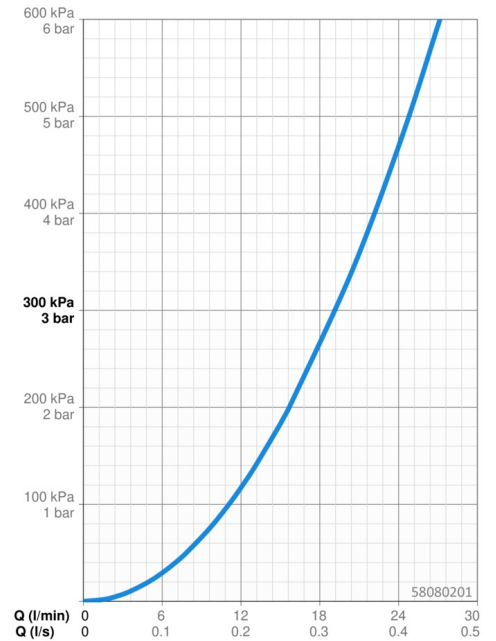
DN-size (nominal dimension) **DN15**
 Hot water supply **max. +80°C**
 Working pressure **1-10 bar**
 Connection size **G1/2**
 Installation width **150 ± 10 mm**
 Backflow prevention (EN1717) **EB**

Regulations

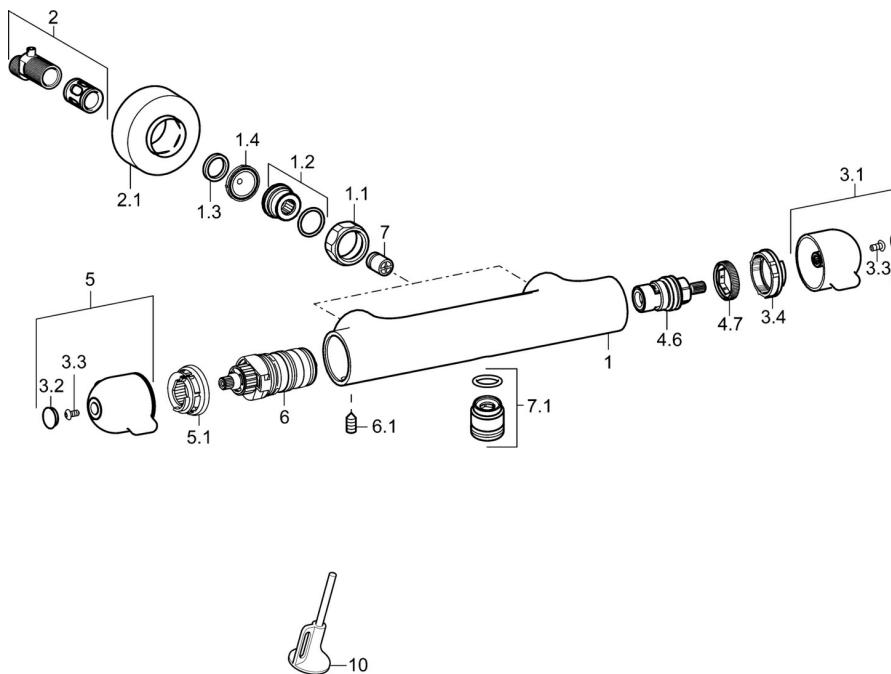
EN standard **EN 1111**

Approvals and Declarations

DVGW **NW-6509CR0103**
 ABP **PA-IX 29957/IB**
 Declaration of conformity **DoC**
 EPD **S-P-06397**



Spare parts



SP58080201

	Name	Code
1.1	Connection nut, G3/4, AF30	59902230
1.2	Nipple	59911075
1.3	Retaining ring, 23.9x15.2x2	59902689
1.4	Filter sealing, G3/4	59911076
2	Eccentric	59914082
2.1	Cover flange	59914083
3.1	Flow control handle	59914081
3.2	Cap	59914079
3.3	Screw, M4x8	59913851
3.4	Adjusting ring	59913940
4.6	Headpart, G1/2, 180°	59911103
4.7	Ring	59913469
5	Temperature control handle	59914080
5.1	Temperature adjustment limiter	59914078
6	Thermostatic cartridge, 3.3	59913871
6.1	Screw, M6x9.5	59901609
7	Non-return valve, DN10 (2016-)	59914425
7.1	Thread nipple, G1/2xM18x1	59911384
10	Key	59914077