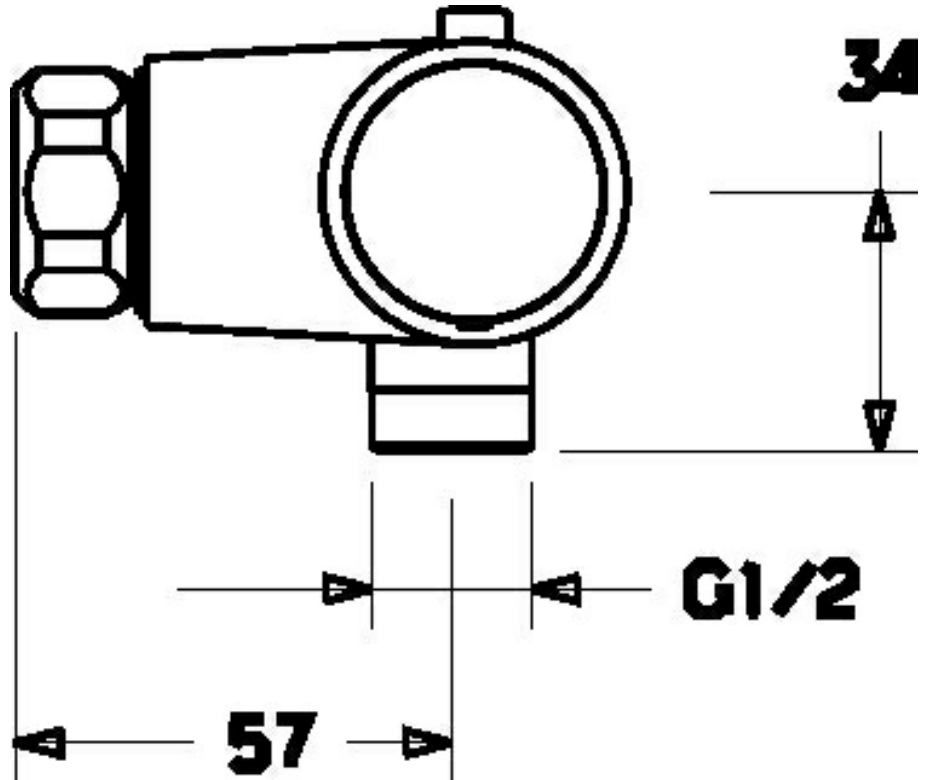
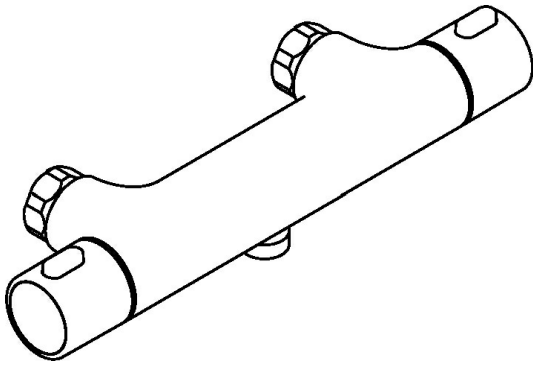


EAN: 4015474259249
static.hansa.com/58080001



- Shower solutions
- Thermostatic
- Wall mounted
- Chrome
- Temperature control handle, Flow control handle, Eco feature for water flow
- Adjustable hot water stop (included, retrofittable), Safety stop against scalding at 38°C
- Thermostatic cartridge for automatic temperature control, Ceramic head part for flow control, Non-return valve(s), Litter filter(s)
- Inner body made of DZR brass, Thermal disinfection without cartridge readjustment
- Without couplings
- protected against back-flow in domestic use (according to DIN EN 1717)



Technical data

Flow properties

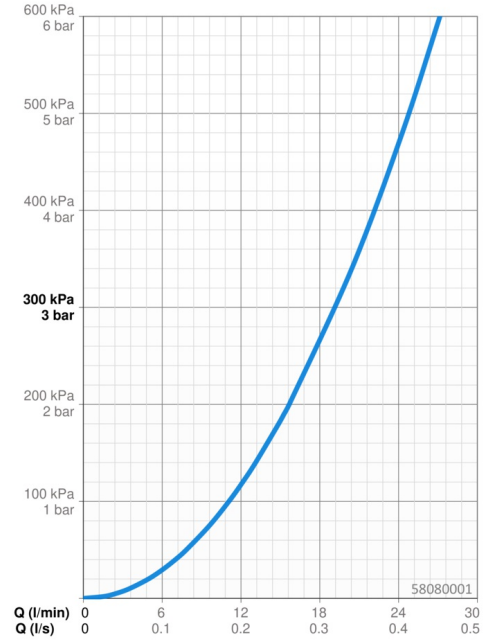
Flow-rate at 3 bar	19.2 l/min
Pressure loss with flow (0.2 l/s)	1.3 bar

Technical properties

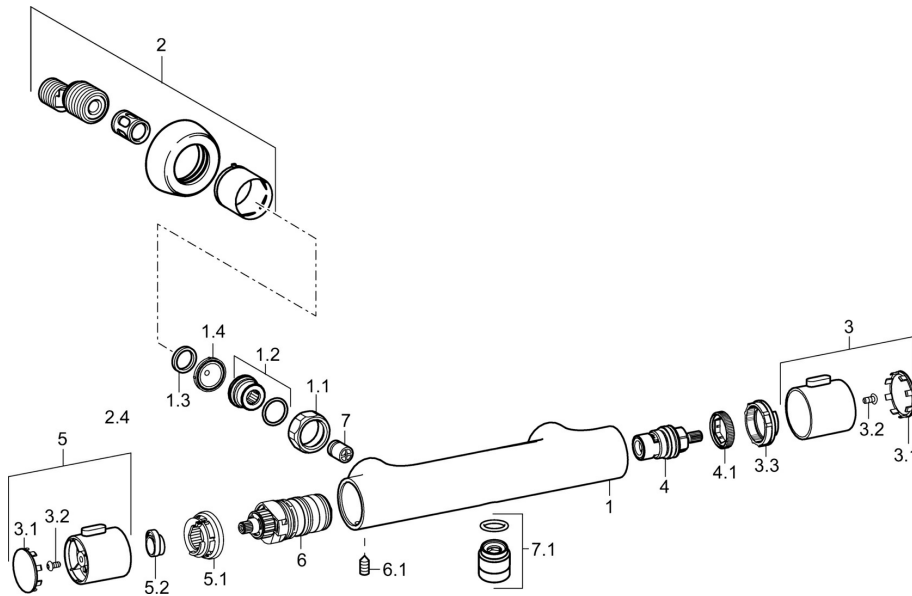
DN-size (nominal dimension)	DN15
Hot water supply	max. +80°C
Working pressure	1-10 bar
Connection size	G3/4
Installation width	cc150 mm
Backflow prevention (EN1717)	EB

Regulations

EN standard	EN 1111
-------------	----------------



Spare parts



SP58080001

	Name	Code
1.1	Connection nut, G3/4, AF30	59902230
1.2	Nipple	59911075
1.3	Retaining ring, 23.9x15.2x2	59902689
1.4	Filter sealing, G3/4	59911076
2	Eccentric	59913824
3	Flow control handle	59913943
3.1	Cover	59913850
3.2	Screw, M4x8	59913851
3.3	Adjusting ring	59913940
4	Headpart, G1/2, 180°	59911103
4.1	Ring	59913469
5	Temperature control handle	59913938
5.1	Temperature adjustment limiter	59913937
5.2	Locking screw, 38°	59913919
6	Thermostatic cartridge, 3.3	59913871
6.1	Screw, M6x9.5	59901609
7	Non-return valve, DN10 (2016-)	59914425
7.1	Thread nipple, G1/2xM18x1	59911384