

Technical data

Flow properties

Flow-rate at 3 bar **7.8 l/min**

Technical properties

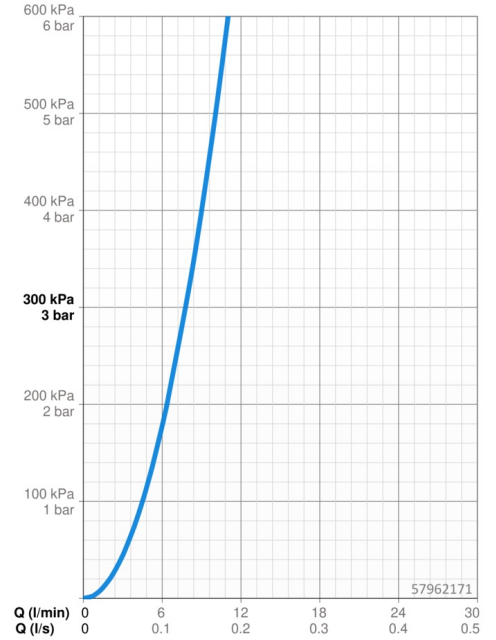
Hot water supply **max. +80°C**
 Working pressure **0.5-10 bar**
 Projection **300 mm**
 Backflow prevention (EN1717) **AA**
 Material **Brass**

Regulations

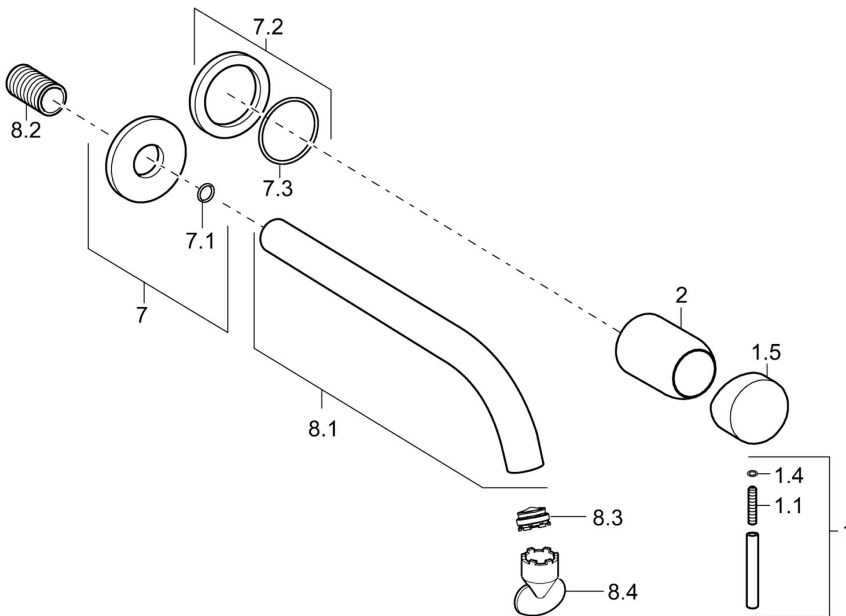
EN standard **EN 817**
 Noise class **I (ISO 3822)**

Approvals and Declarations

DVGW **DW-6512CS0518**
 ABP **P-IX 38409/IO**
 Declaration of conformity **DoC**



Spare parts



SP57962171

	Name	Code
1	Lever, 50 mm, d 7 mm	59913097
1.1	Screw, M5x25, SW 2,5	59913099
1.4	O-ring, d 3x1.5	59913100
1.5	Cap	59913098
2	Cover sleeve	59912116
7	Cover flange, d 75 mm	59913246
7.2	Cover flange, d 75 mm	59913240
7.3	O-ring, 42x2	59913173
8.1	Spout, L=225	59913244
8.1	Spout, L=300	59913245
8.2	Thread nipple, G1/2, AF12	59912144
8.3	Aerator, M24x1 A, 8 l/min	59913130
8.4	Key for aerator, M24x1	59913134
N.I.	Raising kit, 20 mm	59913136