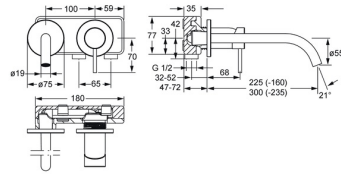
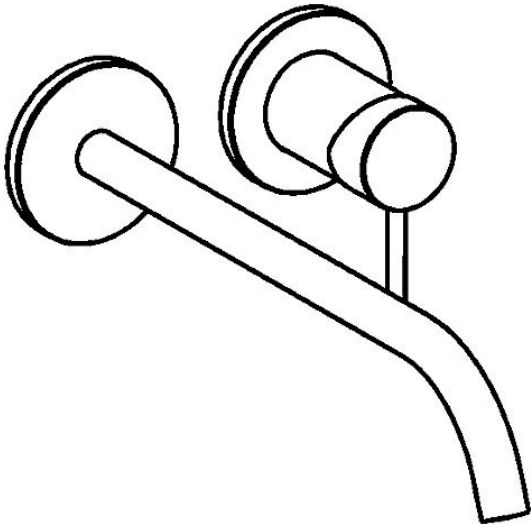


EAN: 4015474179240
static.hansa.com/57952171



- Public & Semi-public, Industry, Housing
- Single-lever, Trim Kit
- Concealed wall mounting
- Chrome
- Hidden aerator
- Single operating lever/handle, Hot/Cold symbols, Pin shape
- Flexible length / can be shortened, Waterways without nickel coating
- Round rosette



Technical data

Flow properties

Flow-rate at 3 bar (with flow controller) **7.8 l/min**

Technical properties

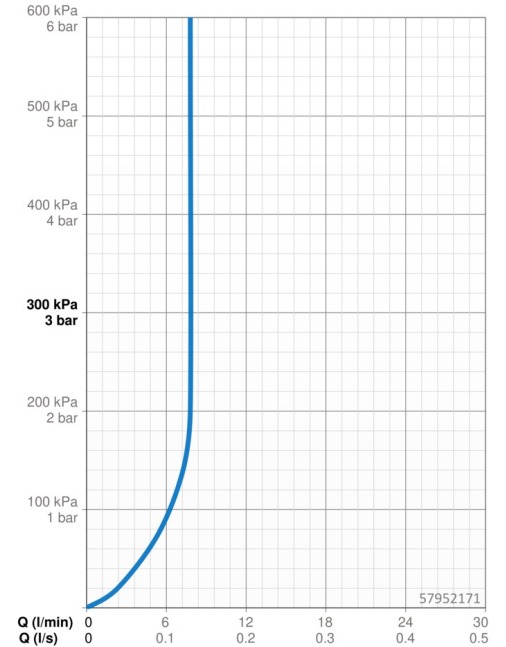
Hot water supply **max. +80°C**
 Working pressure **0.5-10 bar**
 Projection **235-300 mm**
 Backflow prevention (EN1717) **AA**
 Material **Brass**

Regulations

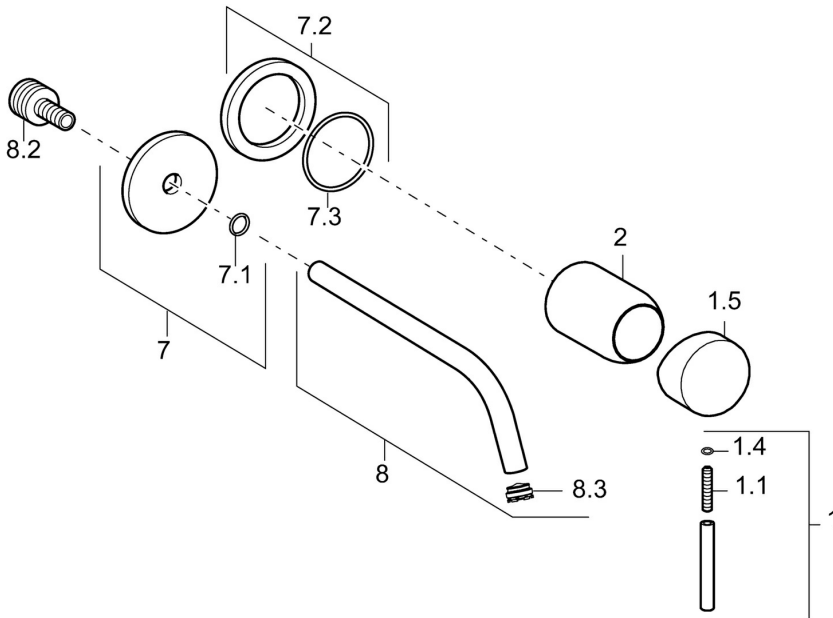
EN standard **EN 817**
 Noise class **I (ISO 3822)**

Approvals and Declarations

DVGW **DW-6512CS0518**
 ABP **PA-IX 38408/IO**
 Declaration of conformity **DoC**



Spare parts



SP57932171

	Name	Code
1	Lever, 50 mm, d 7 mm	59913097
1.1	Screw, M5x25, SW 2,5	59913099
1.4	O-ring, d 3x1.5	59913100
1.5	Cap	59913098
2	Cover sleeve	59912116
7	Cover flange, d 75 mm	59913239
7.2	Cover flange, d 75 mm	59913240
7.3	O-ring, 42x2	59913173
8	Spout, L=225	59913237
8	Spout, L=300	59913238
8.2	Connection nipple, M15x1,5xG1/2, SW 8	59913241
8.3	Aerator, M16x1	59913243
8.4	Key for aerator, M16.5x1	59913242
N.I.	Raising kit, 20 mm	59913136