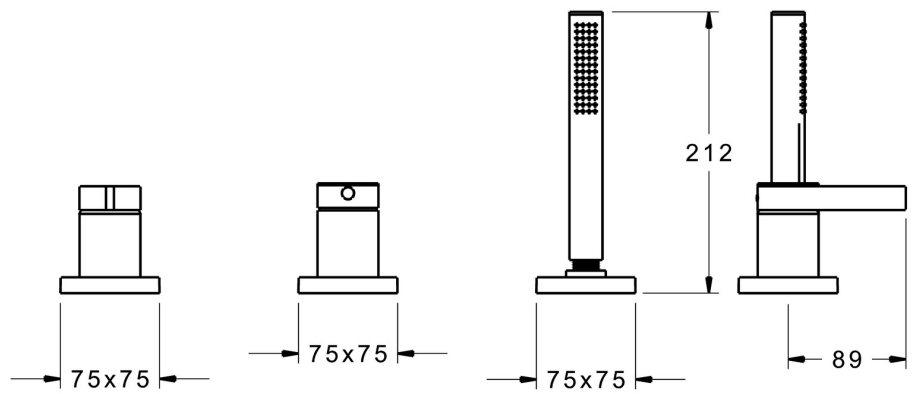
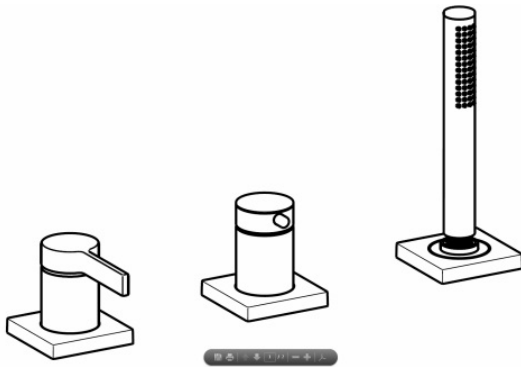


EAN: 4015474276970
static.hansa.com/57799083

- Bath tub & Shower
- Trim Kit, Single-lever
- Rim mounted
- Chrome
- Single operating lever/handle, Hot/Cold symbols
- Hand shower, Shower hose (1750 mm)
- Intense - invigorating water stream
- Litter filter(s), Non-return valve(s)
- Square rosette
- 1 spray function



Technical data

Flow properties

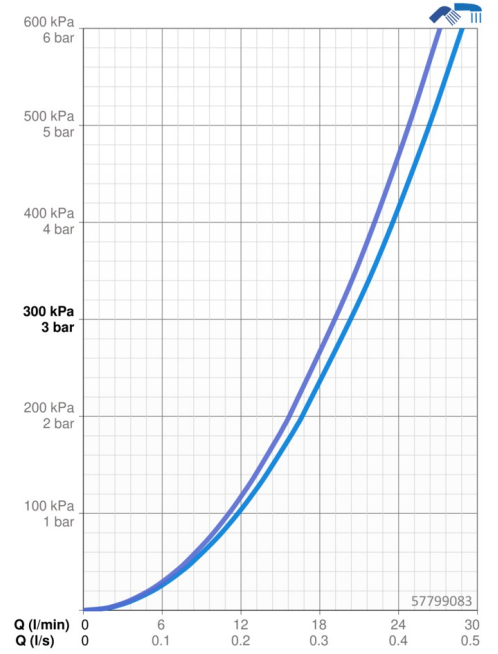
Flow-rate at 3 bar **20.4 / 19.2 l/min**

Technical properties

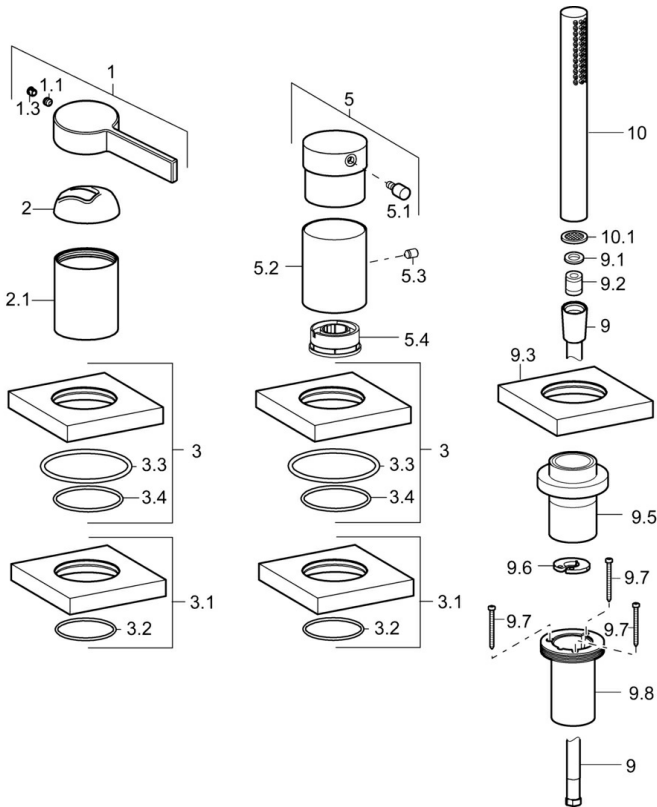
Hot water supply **max. +80°C**
 Working pressure **0.5-10 bar**
 Backflow prevention (EN1717) **EB**

Regulations

EN standard **EN 817, EN 1112, EN 1113**



Spare parts



SP57799083

| | Name | Code |
|------|------------------------------------|----------|
| 1 | Lever | 59914017 |
| 1.1 | Screw, M5x6, SW2.5 | 59912617 |
| 1.3 | Cover plug | 59913762 |
| 2 | Covering cap | 59914016 |
| 2.1 | Cover flange | 59913448 |
| 3 | Cover flange, 75x75 mm | 59914209 |
| 3.1 | Cover flange, 75x75 mm | 59914212 |
| 3.3 | O-ring, 60x3 | 59913280 |
| 3.4 | O-ring, d 40x2 | 59911507 |
| 5 | Handle | 59913345 |
| 5.1 | Lever, 9 mm M6 | 59913348 |
| 5.2 | Cover sleeve Discontinued | 59914210 |
| 5.3 | Screw, M4x4 | 59901027 |
| 5.4 | Flow limiter | 59911897 |
| 9 | Shower hose, L=1750, G1/2-M12x1 | 59912281 |
| 9.1 | Gasket ring, d 21x12x2 | 59912304 |
| 9.2 | Non-return valve | 59905714 |
| 9.3 | Cover flange, 75x75 mm | 59913879 |
| 9.5 | Holder | 59913289 |
| 9.6 | Disk | 59912337 |
| 9.7 | Screw, M4x45 | 59912291 |
| 9.8 | Passing-through bushing | 59913288 |
| 10 | Hand shower | 54390100 |
| 10.1 | Flow limiter | 59912777 |
| N.I. | Raising kit, 30 mm, HM 3.5 (-2015) | 59913189 |
| N.I. | Raising kit, 30 mm | 59913190 |
| N.I. | Extension screw kit, (2015-) | 59914337 |