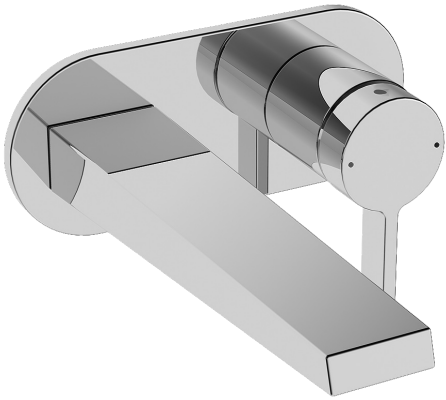
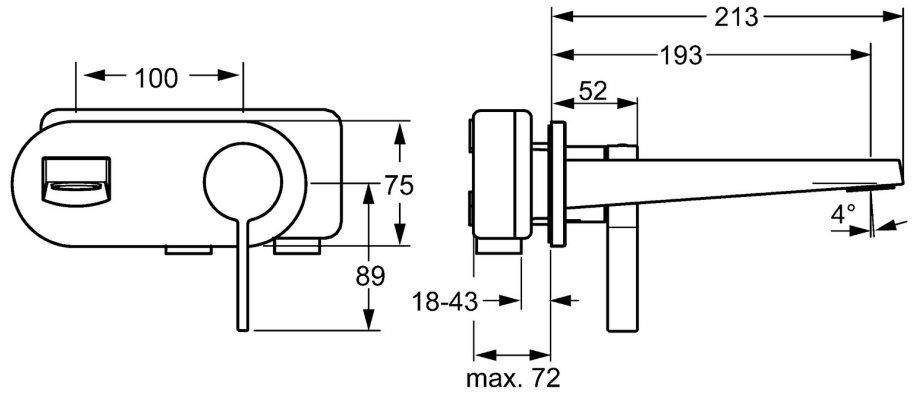
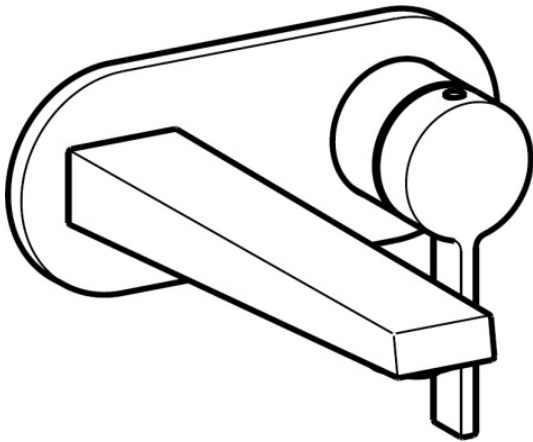


EAN: 4015474263710
static.hansa.com/57772103



- Washbasin
- Single-lever, Trim Kit
- Concealed wall mounting
- Chrome
- Fixed spout
- Adjustable flow angle, Hidden aerator
- Single operating lever/handle, Hot/Cold symbols
- Round rosette, Sleeve



Technical data

Flow properties

Flow-rate at 3 bar (with flow controller) **6.0 l/min**

Technical properties

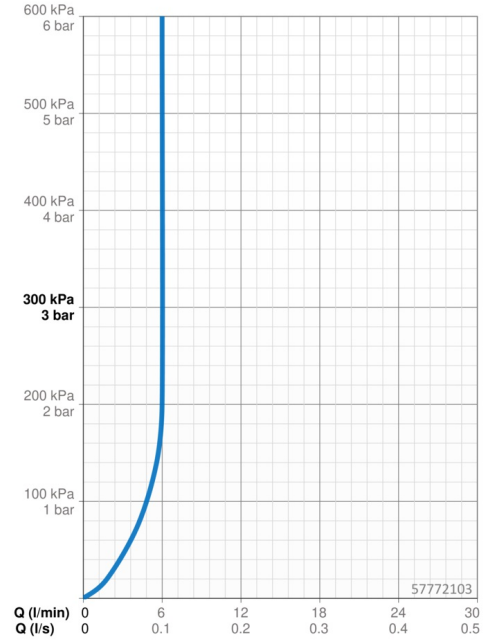
DN-size (nominal dimension) **DN15**
 Hot water supply **max. +80°C**
 Working pressure **0.5-10 bar**
 Projection **193 mm**
 Material **Brass**

Regulations

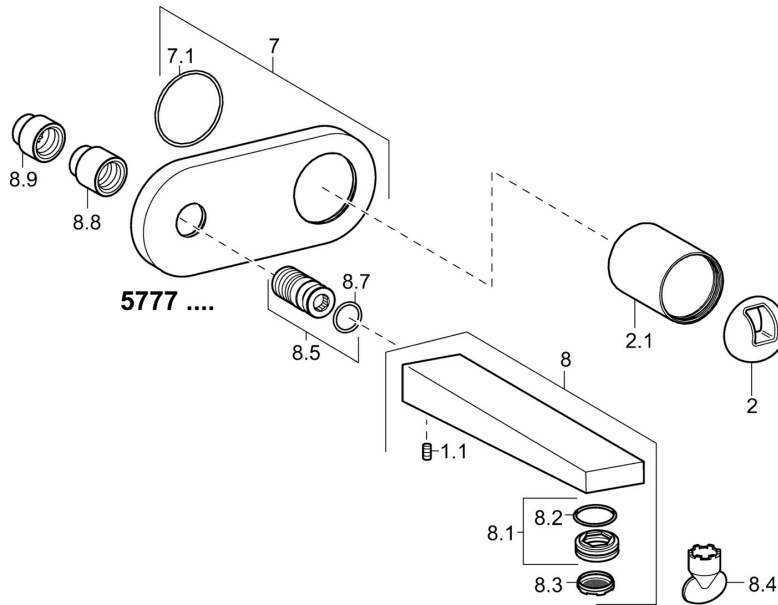
EN standard **EN 817**

Approvals and Declarations

Declaration of conformity **DoC**



Spare parts



SP57772103

	Name	Code
1	Lever	59914017
1.1	Screw, M5x6, SW2.5	59912617
1.3	Cover plug	59913762
2	Covering cap	59914016
2.1	Cover sleeve	59913375
3	Screw sleeve, M38x1	59912115
4	Cartridge, 3.5 Eco	59912324
4	Cartridge, 3.5 Classic	59913075
4.1	Temperature adjustment limiter	59912325
4.2	O-ring, d 28.24x2.62 Discontinued	59912590
4.4	O-ring, d 10.10x1.60 Discontinued	59905072
6.1	Gasket Discontinued	59913169
7	Cover flange	59914020
7.1	O-ring, d 46x2	59912470
8	Spout	59914021
8.1	Fitting ring for aerator	59914007
8.3	Aerator, M24x1 HC SSR-STD	59914015
8.4	Key for aerator, SLIM AIR	59914013
8.5	Threaded sleeve, G1/2	59913865
8.8	Extension screw kit, G1/2, SW12, 20 mm	59913864
8.9	Extension screw kit, G1/2, SW12, 15 mm	59913863
9	Installation box Discontinued	59913170
N.I.	Angle piece	59913086
N.I.	Key, SW30/34	59912108
N.I.	Raising kit, 20 mm	59913136