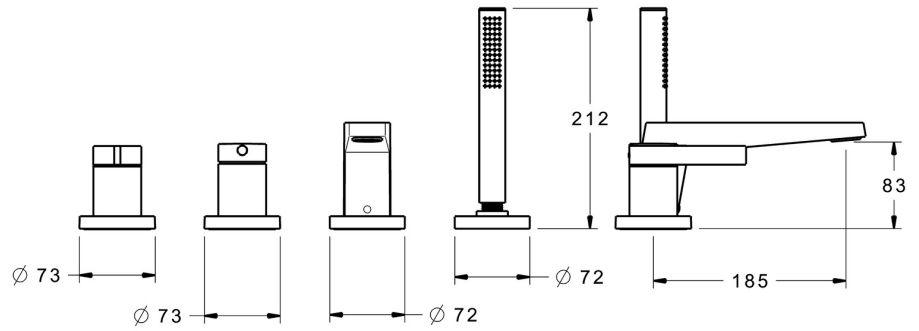
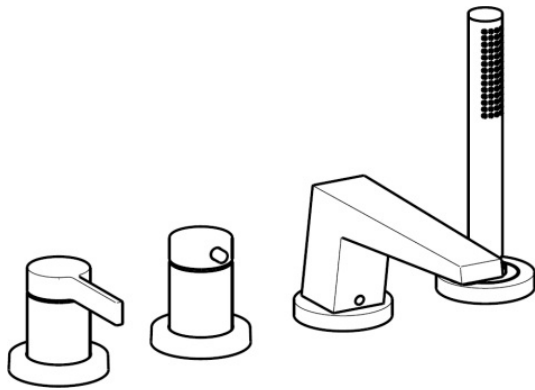


EAN: 4015474263413  
[static.hansa.com/57752073](http://static.hansa.com/57752073)



- Bath tub & Shower
- Trim Kit, Single-lever
- Rim mounted
- Chrome
- Standard aerator
- Single operating lever/handle, Hot/Cold symbols
- Hand shower, Shower hose (1750 mm)
- Intense - invigorating water stream
- Litter filter(s), Non-return valve(s)
- Anti-twist hose connector
- Round rosette
- 1 spray function



## Technical data

### Flow properties

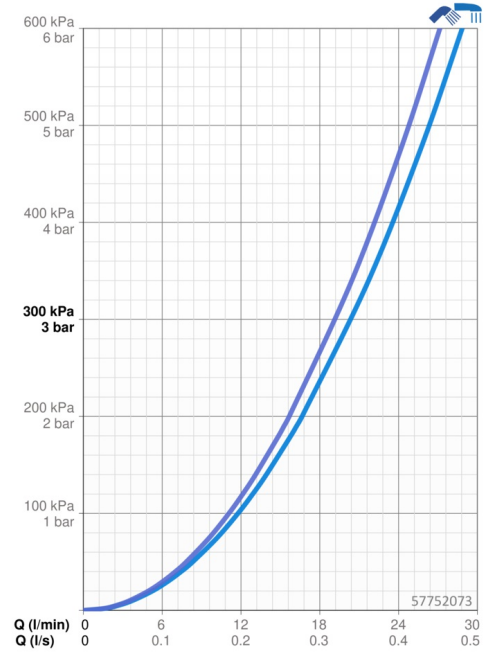
Flow-rate at 3 bar **20.4 / 19.2 l/min**

### Technical properties

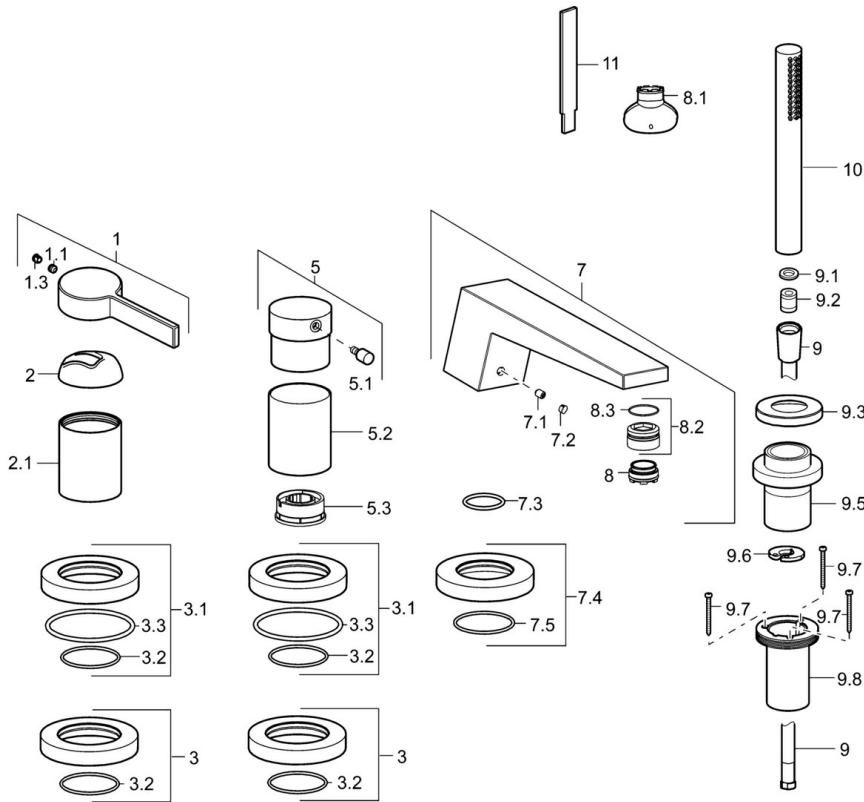
Hot water supply **max. +80°C**  
 Working pressure **0.5-10 bar**  
 Projection **185 mm**  
 Backflow prevention (EN1717) **EB**

### Regulations

EN standard **EN 817**



## Spare parts



### SP57752073

	Name	Code
1	Lever	59914017
1.1	Screw, M5x6, SW2.5	59912617
1.3	Cover plug	59913762
2	Covering cap	59914016
2.1	Cover flange	59913448
3	Cover flange	59913449
3.1	Cover flange	59913450
3.3	O-ring, 60x3	59913280
5	Handle	59913345
5.1	Lever, 9 mm M6	59913348
5.2	Protective sleeve Discontinued	59913451
5.3	Flow limiter	59911897
7	Spout, L=184 Discontinued	59914067
7.1	Screw, M6x5, SW3	59912916
7.2	Cover plug	59911840
7.3	O-ring, d 18x2	59913291
7.4	Cover plate, d 72 mm Discontinued	59913278
7.5	O-ring, 41x2 Discontinued	59913281
8	Aerator, M24x1	59913132
8.1	Key for aerator, SLIM AIR	59914013
8.2	Fitting ring for aerator	59914007
9	Shower hose, L=1750, G1/2-M12x1	59912281
9.1	Gasket ring, d 21x12x2	59912304
9.2	Non-return valve	59905714
9.3	Cover flange, M70x1, d 72 mm	59913287
9.5	Holder	59913289
9.6	Disk	59912337
9.7	Screw, M4x45	59912291
9.8	Passing-through bushing	59913288
10	Hand shower	54390100
11	Tool Discontinued	59912277
N.I.	Raising kit, 30 mm, HM 3.5 (-2015)	59913189
N.I.	Raising kit, 30 mm	59913190
N.I.	Extension screw kit, (2015-)	59914337