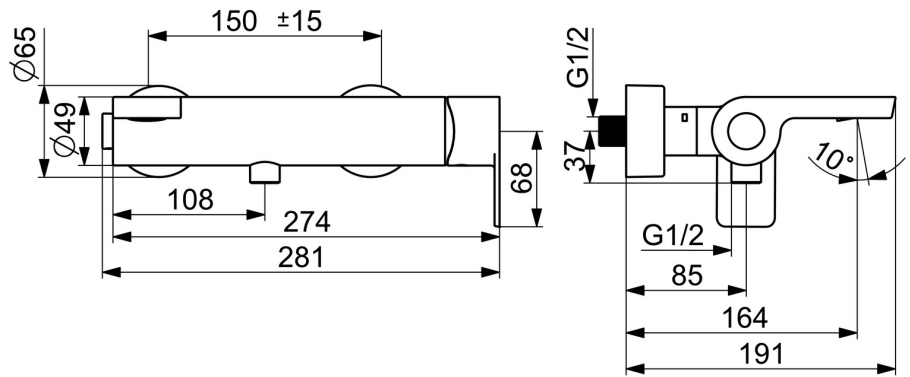
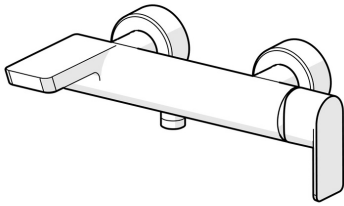


EAN: 4057304015373
static.hansa.com/57742173



Edgy designed combined with a sleek chrome finish for a modern look, making this bath and shower faucet the perfect addition to any bathtub or shower area. With focus on high performance while still have an eye on the aesthetics and details to secure an elegant installation. The single-operating handle with hot and cold symbols allows for easy temperature control. The push-operated diverter with automatic reset adds convenience to your shower experience. Plus, the inner body is made of corrosion resistant brass for added durability. Upgrade your bathroom with this timeless elegance for any bathroom design.

- Bathtub & Shower
- Single-lever, side operated
- Wall mounted
- Chrome
- Fixed spout
- Laminar stream
- Single operating lever/handle, Hot/Cold symbols
- Push operated diverter, Automatic reset
- Limitation option for maximum temperature and flow-rate
- \varnothing 40 mm ceramic cartridge for flow and temperature control, Non-return valve(s)
- Eccentric coupling(s)
- Inner body made of DZR brass



Technical data

Flow properties

Flow-rate at 3 bar **21.0 l/min**

Technical properties

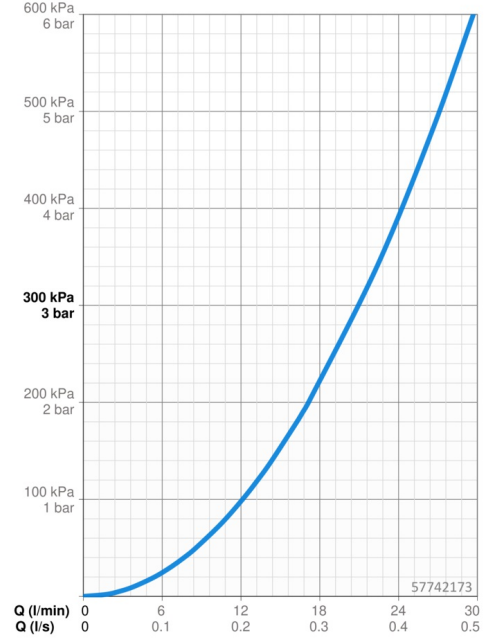
Hot water supply **max. +80°C**
 Working pressure **0.5-10 bar**
 Connection size **G1/2**
 Installation width **150 ± 15 mm**
 Backflow prevention (EN1717) **EB**
 Material **Brass**

Regulations

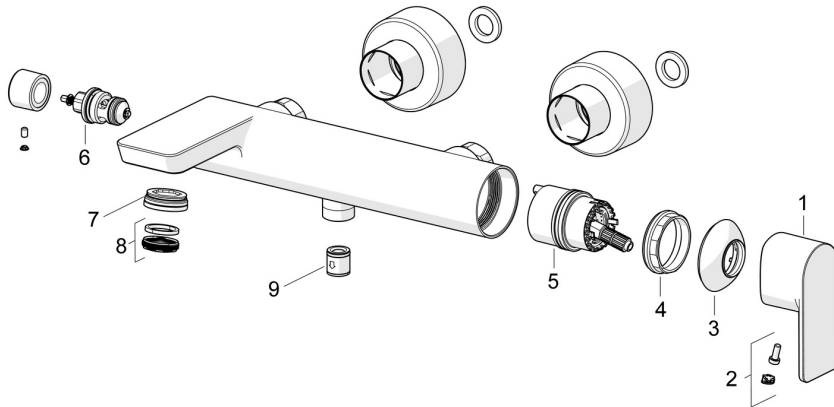
EN standard **EN 817**

Approvals and Declarations

Declaration of conformity **DoC**
 EPD **S-P-06397**



Spare parts



SP57742173

	Name	Code
01	Lever	1009774V
02	Symbol plug	59914573
03	Covering cap	59914649
04	Tightening nut, M42x1.5, SW 38	59914128
05	Cartridge	59914665
06	Diverter	59912870
07	Fitting ring for aerator, M24x1, SW17, (2019-)	59914744
08	Aerator, M24x1	59913132
09	Non-return valve	59905714