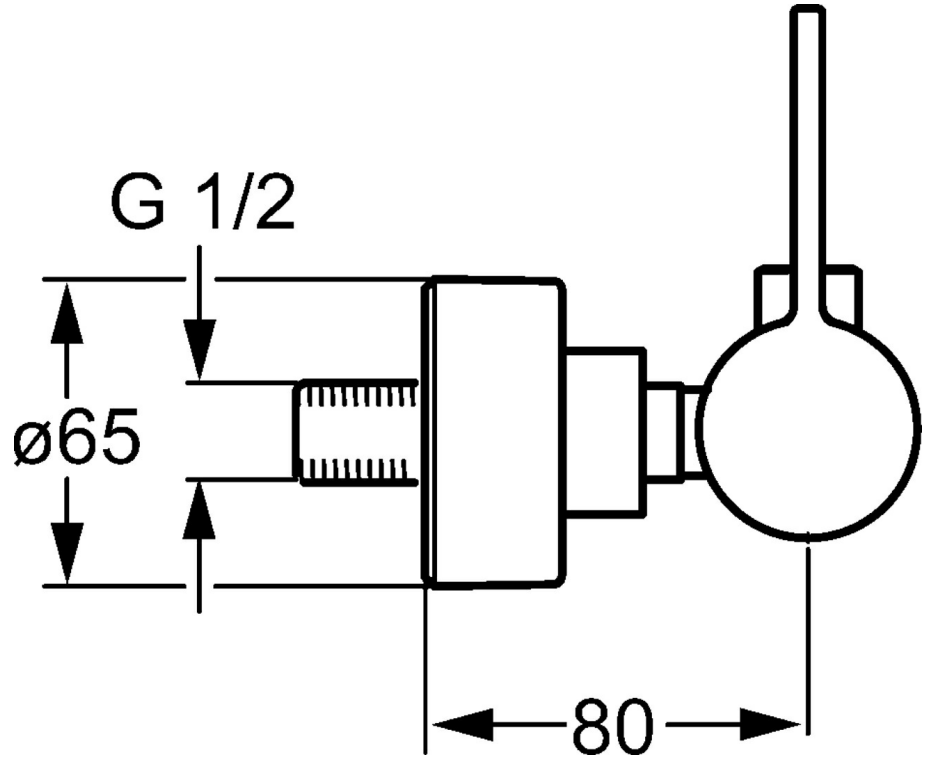
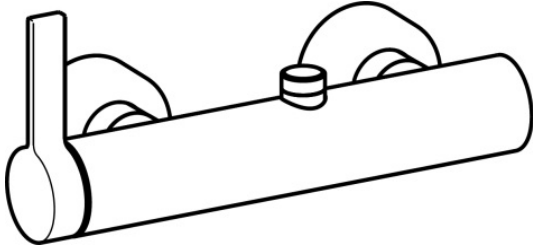


EAN: 4015474264373  
[static.hansa.com/57719173](https://static.hansa.com/57719173)



- Shower solutions
- Single-lever, side operated
- Wall mounted
- Chrome
- Single operating lever/handle, Hot/Cold symbols
- Silencer(s)
- protected against back-flow in domestic use (according to DIN EN 1717)



## Technical data

### Flow properties

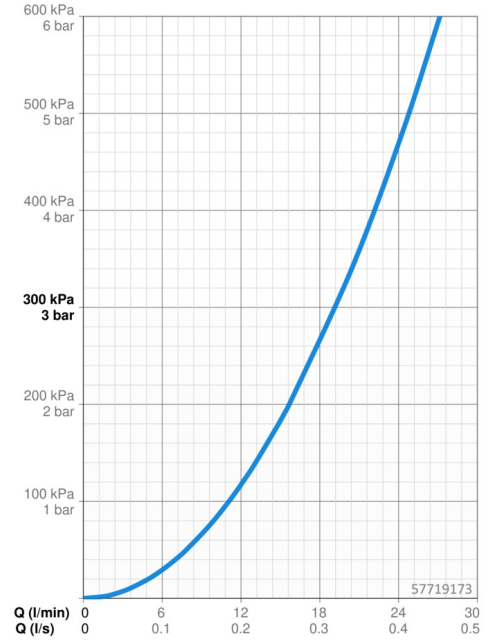
Flow-rate at 3 bar **19.2 l/min**

### Technical properties

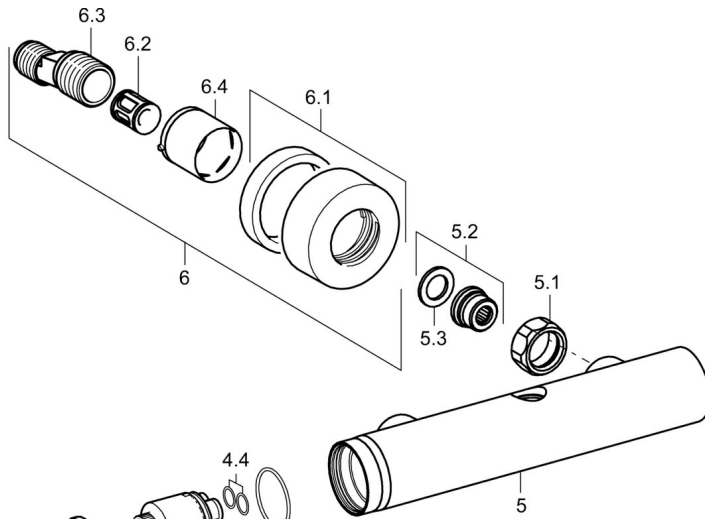
DN-size (nominal dimension) **DN15**  
 Hot water supply **max. +80°C**  
 Working pressure **0.5-10 bar**

### Regulations

EN standard **EN 817**



## Spare parts



### SP57719173

	Name	Code
1	Lever	59914019
1.1	Screw, M5x6, SW2.5	59912617
1.3	Cover plug	59913762
2	Covering cap	59914016
3	Screw, M4x1, SW34	59913365
4	Cartridge, 3.5 Classic	59913075
4	Cartridge, 3.5 Eco	59912324
4.1	Temperature adjustment limiter	59912325
4.2	O-ring, d 28.24x2.62 Discontinued	59912590
4.4	O-ring, d 10.10x1.60 Discontinued	59905072
5.1	Connection nut, G3/4, AF30	59902230
5.2	Connector	59913400
5.3	Retaining ring, 23.9x15.2x2	59902689
6.1	Cover flange	59913432
6.2	Silencer	59904792
6.3	Eccentric connector, G3/4xG1/2, DN15	59910254
6.4	Cover sleeve	59912651
N.I.	Key, SW30/34	59912108

